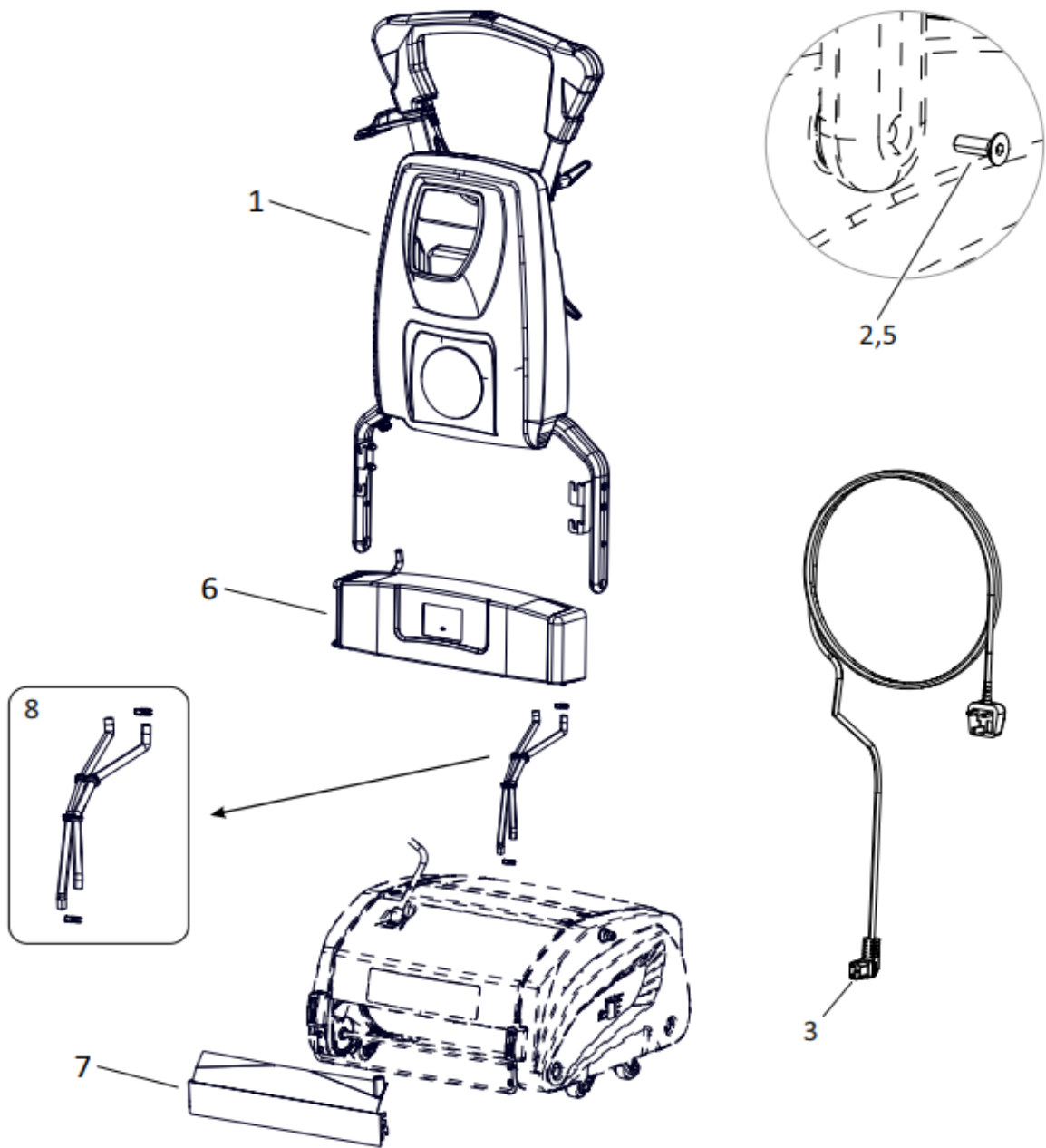


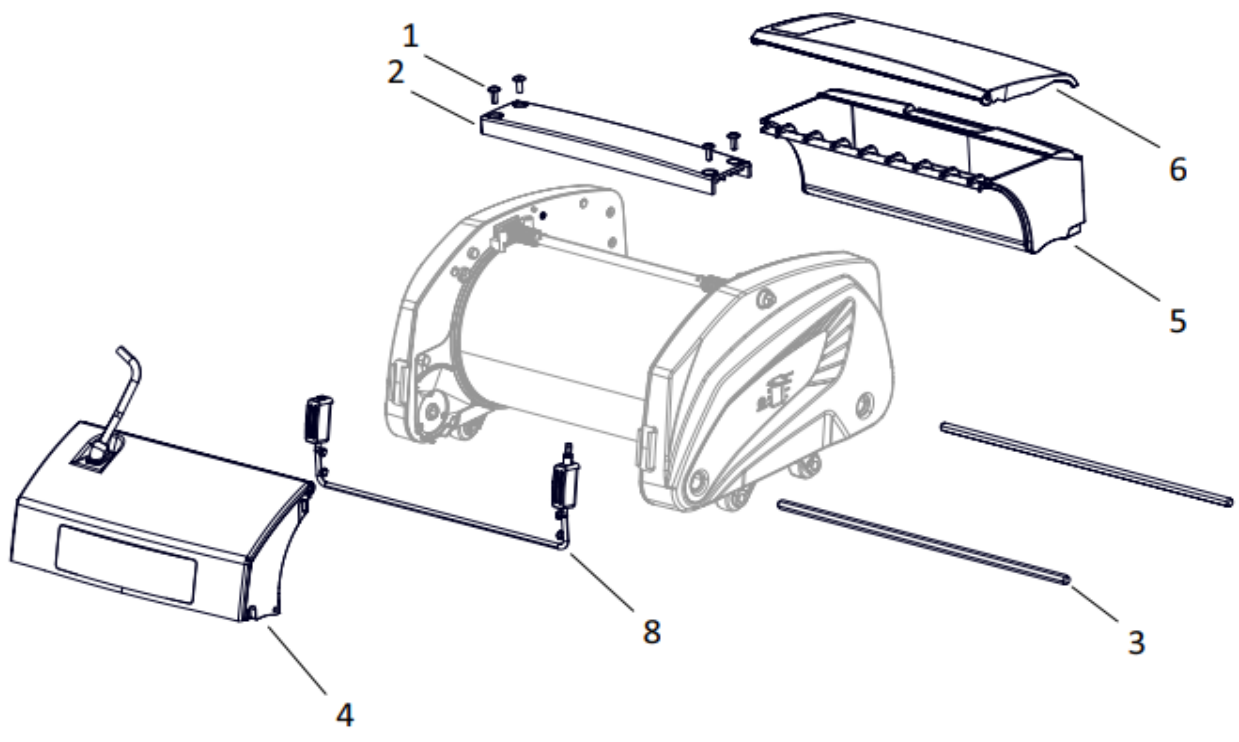
Tacony CFC		MultiWash PRO 340 Steam	
Part Number:		MWPRO340-STEAM	
Series:	A		
Date:	15-Aug-24		
Reference Drawing Number:			
Reference Drawing Issue:	I		
Modified By:	C. Savage		
Service Parts List Issue:	I	ECN #	
Description of Change:		-	

Ref. No.	Part No.	Part Description	Qty
		MWPRO340-Steam Assembly	
1	90-1046-0000	Handle Assy Complete MWPRO-34-Steam+Battery	1
2	90-0856-0000	Hex Soc Head Cap Screw-SS304-M4x10	2
3	90-1047-0000	Power Cord UK	1
3	90-1068-0000	Power Cord Euro	1
5	90-0999-0000	Washer Handle	2
6	90-1048-0000	Steamer Unit Assy 230V	1
7	90-1049-0000	Shield Nozzle Assy Steam	1
8	90-1050-0000	Hose and Clip Assy - MWPRO340-Steam	1



Tacony CFC		MWPRO340-STEAM ASSEMBLY	
Drawing Number:			
Machine	MWPRO340-STEAM		
Date:	15/08/2024	Description of Change	ECN No.
Drawing Issue:	A		
Modified By:	C. SAVAGE		

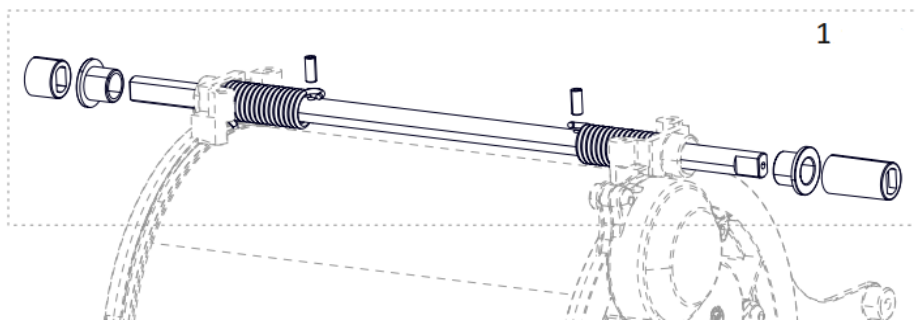
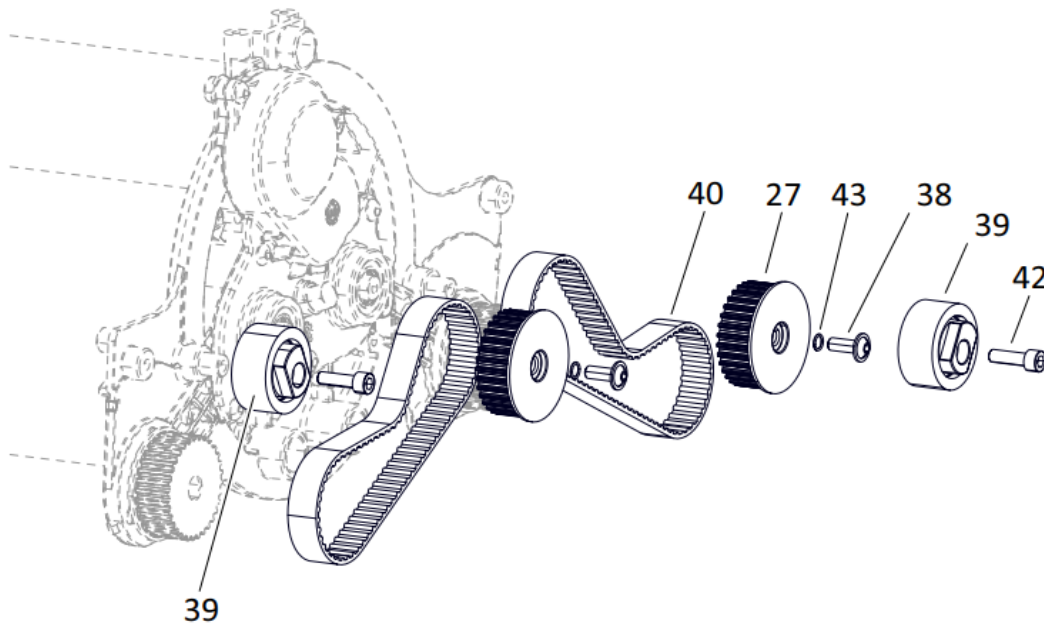
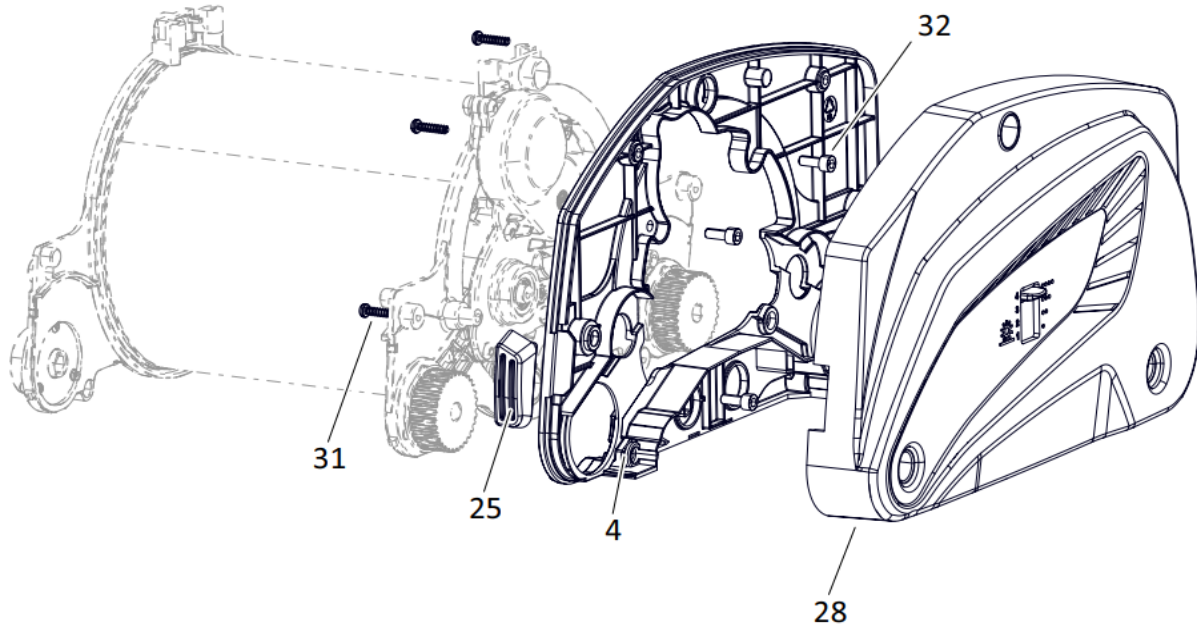
Chassis 340-Steam			
1	90-0861-0000	Soc Button Cap Collar Screw-St10.9-M6x16-Green	4
2	90-0911-0000	Bridge Housing Assy Plastic-34	1
3	90-0742-0000	Shaft Brush Assy-34	2
4	90-0912-0000	Pump Housing Assy MWPRO340	1
5	90-0743-0000	Collection Tank Assy Complete-34	1
6	90-0744-0000	Lid Collection Tank Assy-34	1
7	90-0910-0000	CRPH Self Tap Screw-SS04-3.5x9.5-F	2
8	90-1051-0000	Pipe Nozzle Assy Steam	1



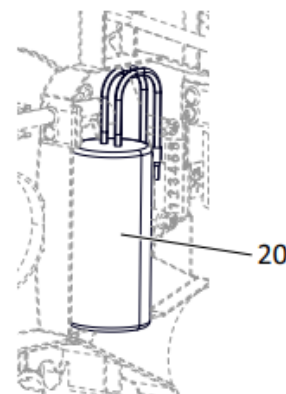
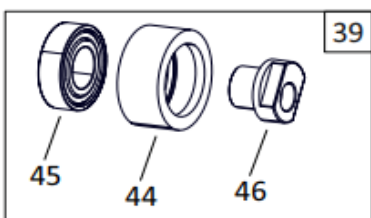
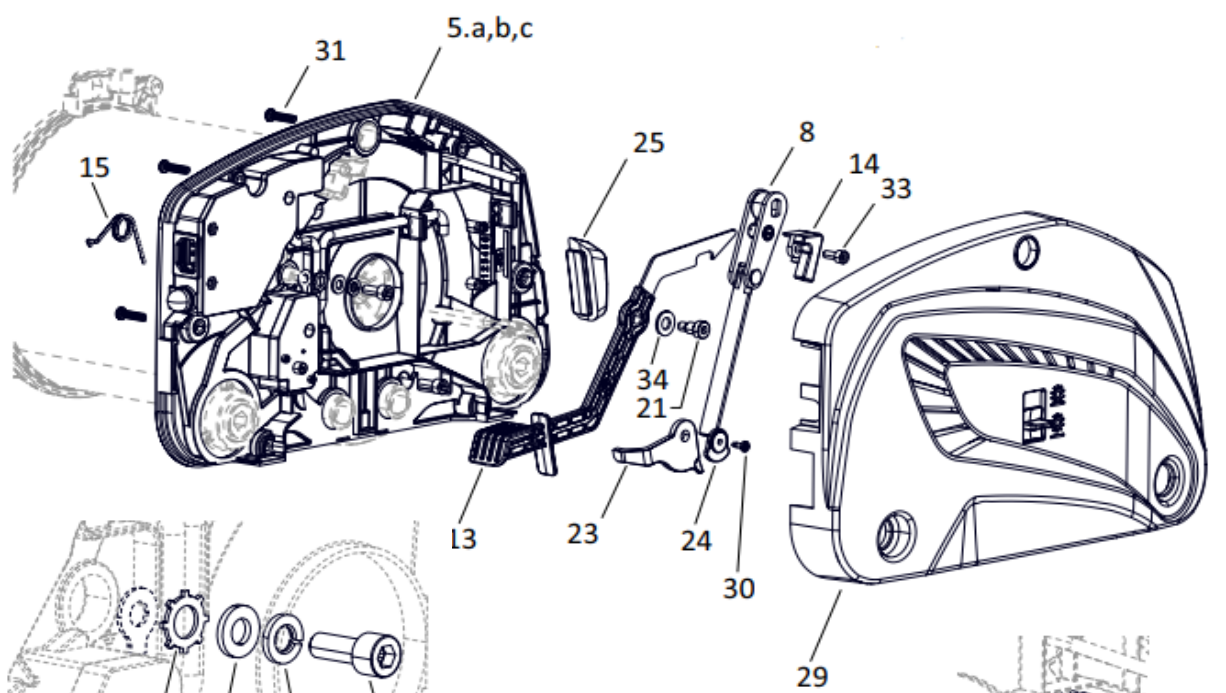
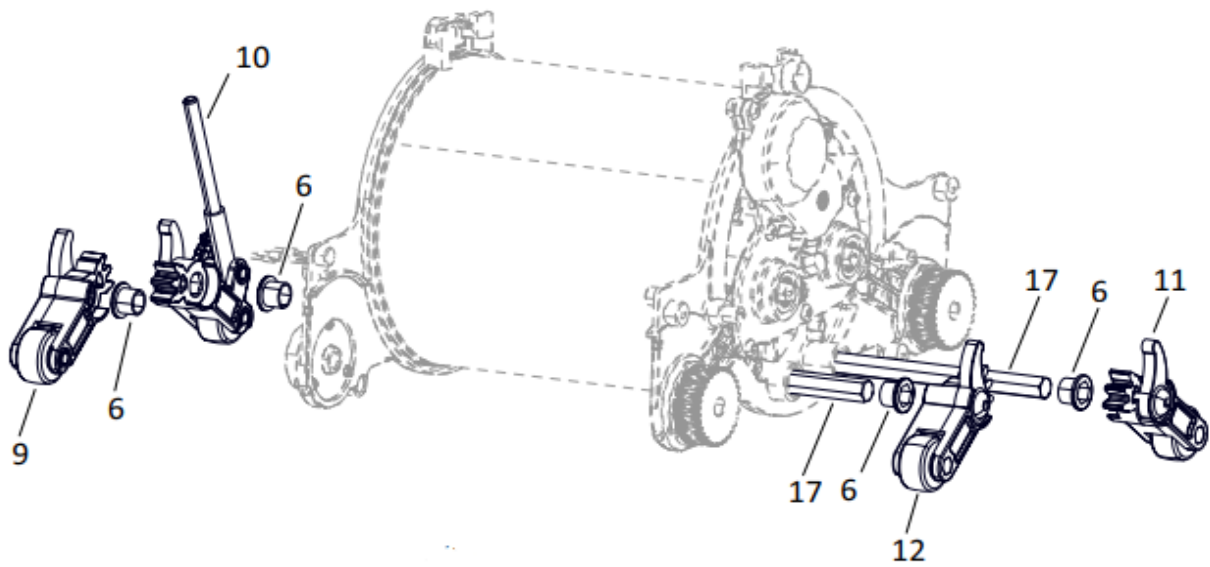
Tacony CFC		CHASSIS MWPRO340-STEAM	
Drawing Number:			
Machine	MWPRO340-STEAM		
Date:	15/08/2024	Description of Change	ECN No.
Drawing Issue:	A		
Modified By:	C. SAVAGE		

		Chassis - Base Assembly - 340-Steam	
1	90-0887-0000	MWPRO Shaft Handle Assy-34 Kit	1
4	90-0915-0000	Housing Drive	1
5	90-0917-0000	Housing Idle Assy MWPRO340	1
6	90-0015-0000	Bush Wheel Actuation	4
7	90-0889-0000	MWPRO Wheel Assy Kit	4
8	90-0750-0000	Guide Link Assy	1
8a	90-0163-0000	Lever Brush Actuation	2
8b	90-0919-0000	Guide Link	1
8c	90-0751-0000	Pin Lever	1
8e	90-0752-0000	Spacer Lever	1
9	90-0920-0000	Lever Idle RH Assy	1
9a	90-0754-0000	Lever Idle RH	1
9e	90-0755-0000	Bush Lever	2
10	90-0921-0000	Lever Driver With Link Assy	1
10a	90-0922-0000	Lever Driver	1
10b	90-0757-0000	Link	1
10c	90-0890-0000	MWPRO Lever Switch Assy Kit	1
11	90-0923-0000	Lever Idle Assy LH	1
11a	90-0758-0000	Lever Idle LH	1
12	90-0924-0000	Lever Driven Assy	1
12a	90-0759-0000	Lever Driven	1
13	90-0760-0000	Pedal	1
14	90-0761-0000	Stopper Lever	1
15	90-0762-0000	Spring Pedal	1
17	90-0764-0000	Shaft Wheel Actuation-34	2
21	90-0123-0000	Stub Axle	1
22	90-0148-0000	Toothed Washer	1
23	90-0767-0000	Link Switch	1
24	90-0768-0000	Top Link Switch	1
25	90-1052-0000	MWPRO Steam Bumper Kit (set of 2)	1
27	90-0769-0000	Sprocket Gear	2
28	90-0770-0000	Cover Assy Drive	1
29	90-0771-0000	Cover Assy Idle	1
30	90-0183-0000	CRPH Self Tap Screw-SS304-3.5x9.5-F	1
31	90-0853-0000	CRPH Self Tapping (Plastic) Screw SS304 5x20	12
32	90-0144-0000	Hex Soc Head Cap Screw-SS304-M6x15	9
33	90-0857-0000	Hex Soc Head Cap Screw-SS304-M5x12	1
34	90-0008-0000	Plain Washer-SS304-8.4x17x1.6	1
35	90-0147-0000	Plain Washer-SS304-6.4x12.5x1.6	1
36	90-0867-0000	Spring Washer-M6-SS304	1
38	90-0861-0000	Soc Button Cap Collar Screw-ST10.9-M6x16	2
39	90-0197-0000	Idler Assy - Plain	2
40	90-0892-0000	MWPRO Belt Kit	1
42	90-0859-0000	Hex Soc Head Cap Screw-SS304-M6x20	2

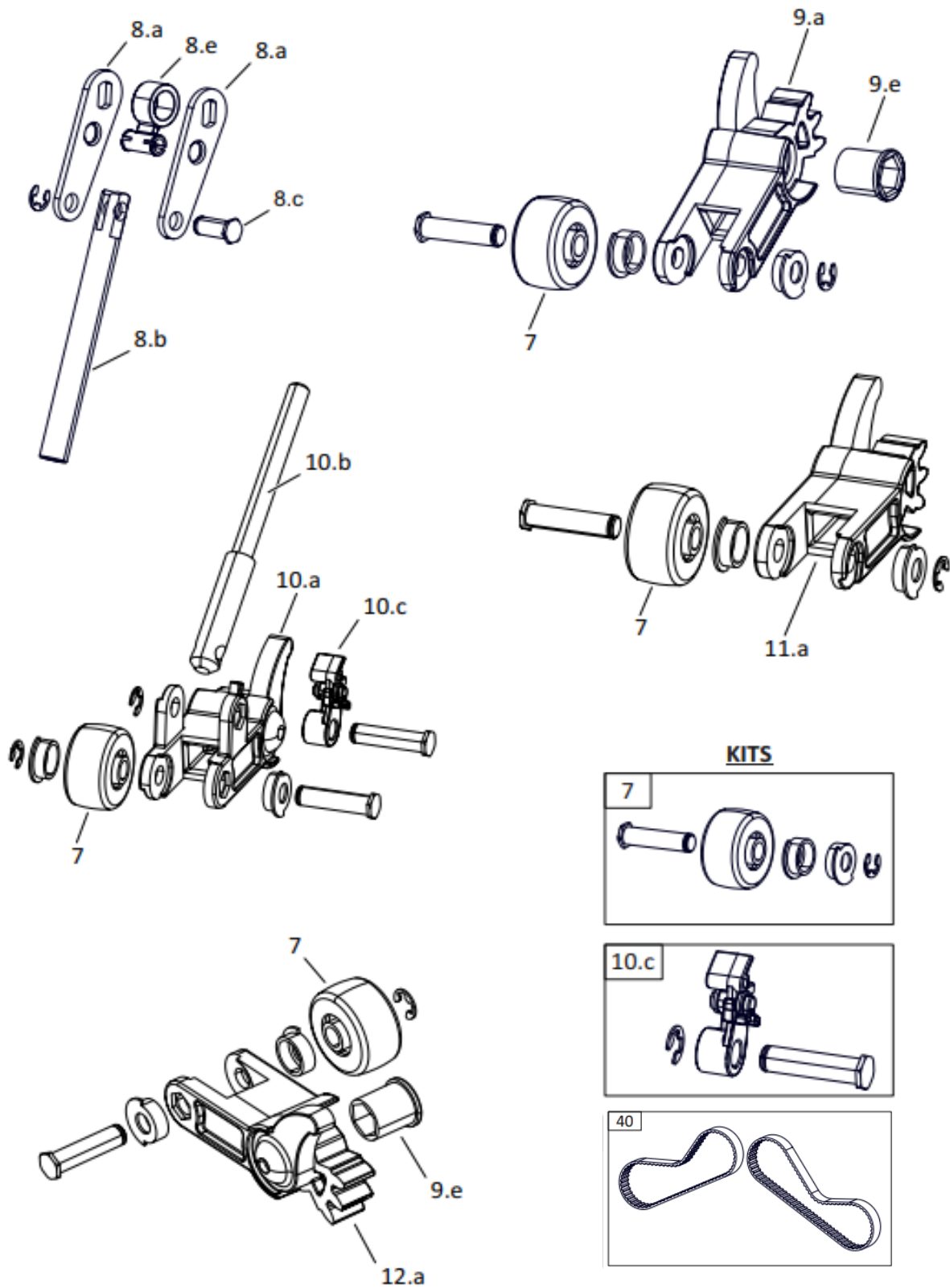
43	90-0868-0000	O Ring 6.0x1.0	2
44	90-0166-0000	Sleeve - Idler	1
45	90-0009-0000	Bearing 6003 2RS	1
46	90-0161-0000	Hub - Idler	1



Tacony CFC		CHASSIS - BASE ASSEMBLY - MWPRO340-STEAM	
Drawing Number:			
Machine	MWPRO340-STEAM		
Date:	15/08/2024	Description of Change	ECN No.
Drawing Issue:	A		
Modified By:	C. SAVAGE		

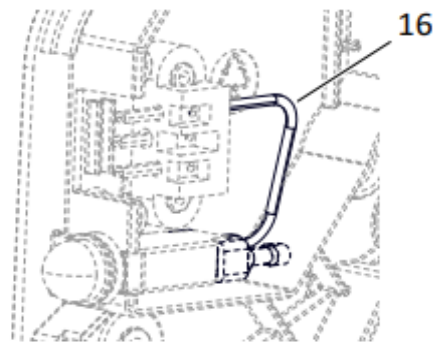
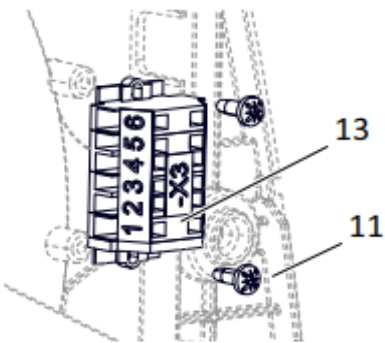
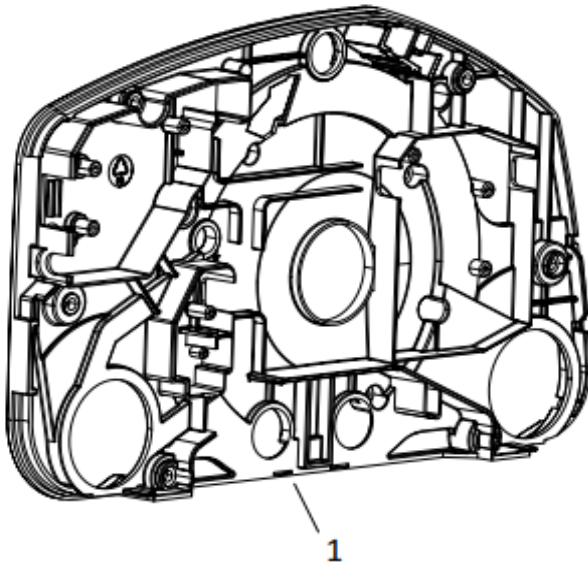
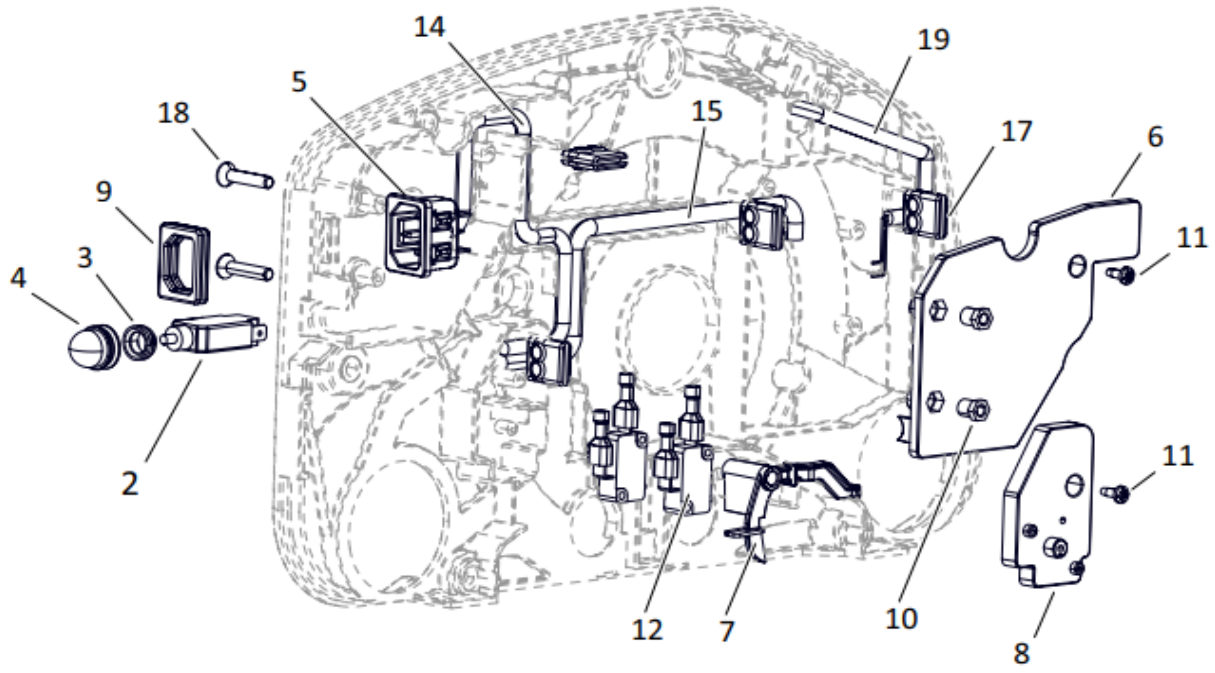


Tacony CFC		CHASSIS - BASE ASSEMBLY - MWPRO340-STEAM	
Drawing Number:			
Machine	MWPRO340-STEAM		
Date:	15/08/2024	Description of Change	ECN No.
Drawing Issue:	A		
Modified By:	C. SAVAGE		



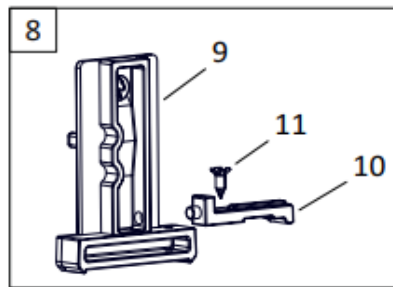
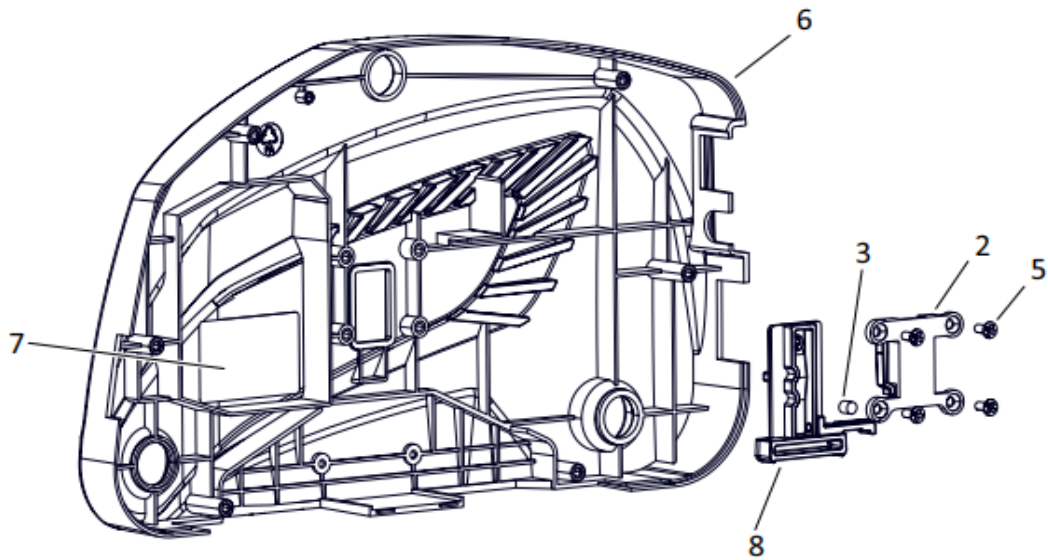
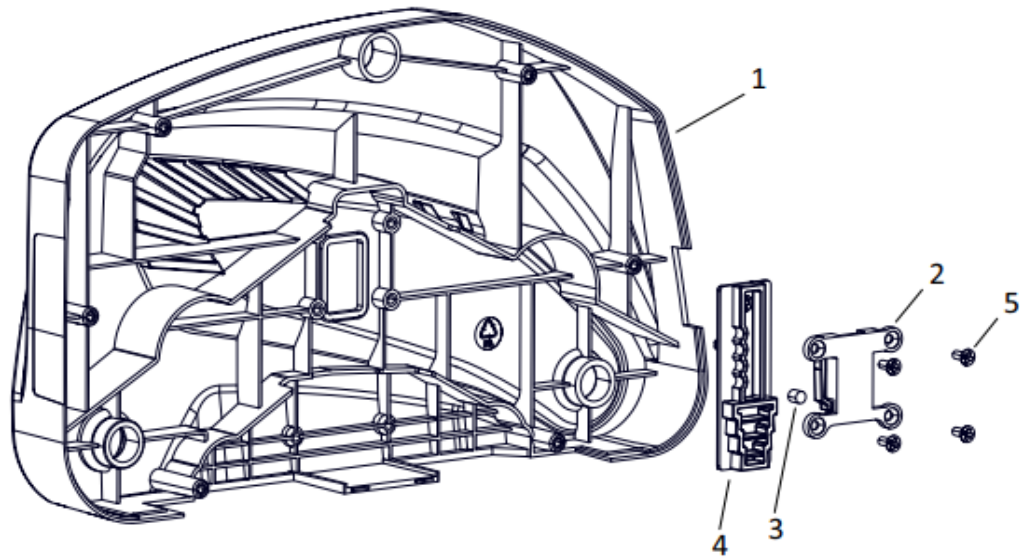
Tacony CFC		CHASSIS - BASE ASSEMBLY - MWPRO340-STEAM	
Drawing Number:			
Machine	MWPRO340-STEAM		
Date:	15/08/2024	Description of Change	ECN No.
Drawing Issue:	A		
Modified By:	C. SAVAGE		

		Chassis - Housing Idle Assy	
1	90-1028-0000	Housing Idle	1
2	90-0394-0000	Circuit Breaker - 6A (340)	1
3	90-0772-0000	Nut Circuit Breaker	1
4	90-0773-0000	Cap Circuit Breaker	1
5	90-1030-0000	CI4 Connector	1
6	90-1031-0000	Cover Connector	1
7	90-0775-0000	Lever Switch Actuation	1
8	90-0926-0000	Cover Switch	1
9	90-0927-0000	Seal Connector	1
10	90-0297-0000	Nut Insulation	2
11	90-0183-0000	CRPH Self Tap Screw - SS304-3.5x9.5F	4
12	90-0283-0000	Limit Switch Assembly	2
13	90-0928-0000	Terminal Block Assembly	1
14	90-1032-0000	Cable Assy CA02 -(X2, F1 to S1, S2)	1
15	90-0777-0000	Cable Assy CA03 -(S1, S2 to X3)	1
16	90-1033-0000	Cable Assy CA01 -(X2 to F1)	1
17	90-0929-0000	Grommet Electrical	2
18	90-0261-0000	Hex Soc CSK Screw - SS304 - M5x25	2
19	90-0779-0000	Cable Assy CA04 -(X3 to F2, P1)	1
20	90-0780-0000	Cable Assy CA07 -(X3 to C1) *Not shown	1



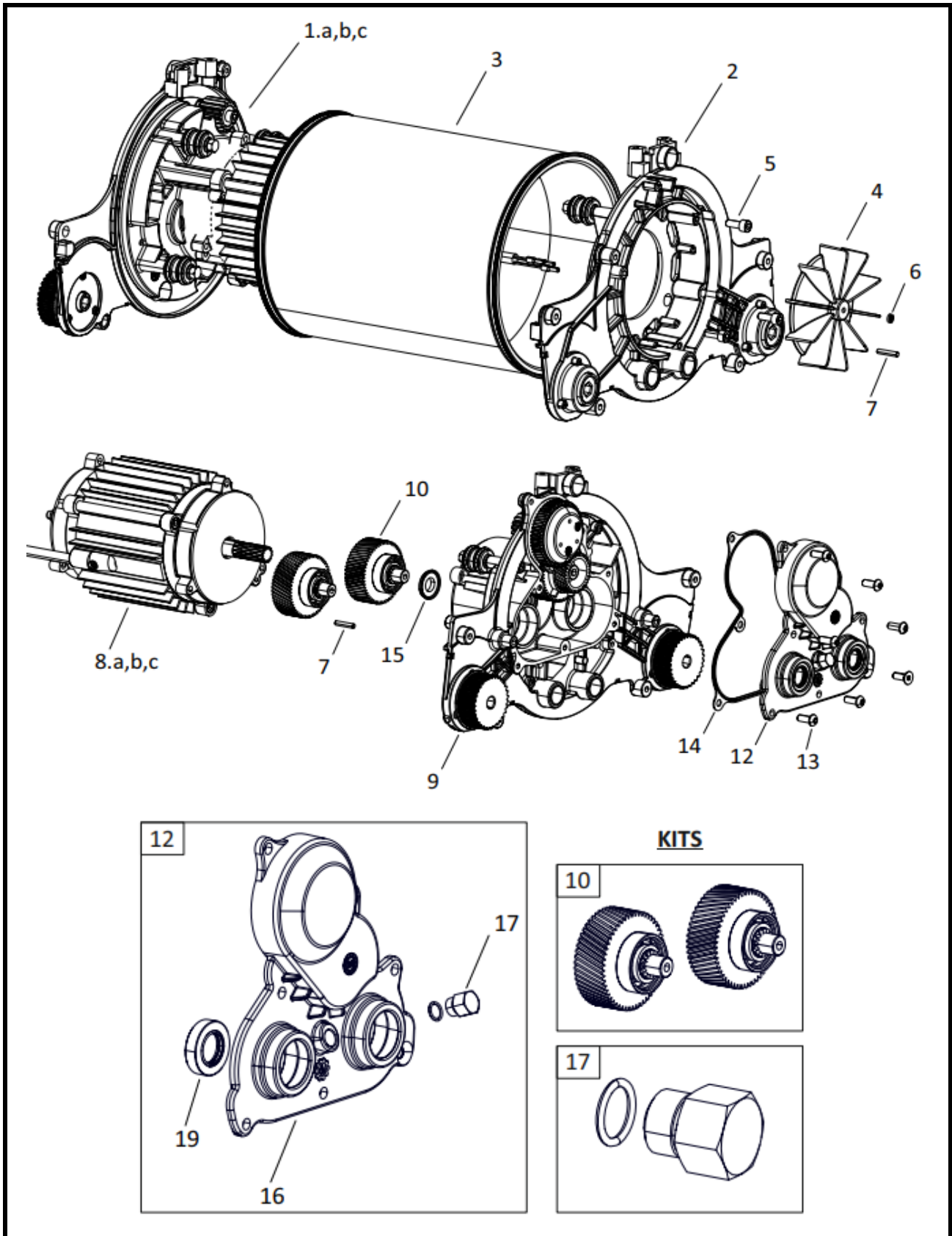
Tacony CFC		CHASSIS - HOUSING IDLE ASSEMBLY - MWPRO340-STEAM	
Drawing Number:			
Machine	MWPRO340-STEAM		
Date:	15/08/2024	Description of Change	ECN No.
Drawing Issue:	A		
Modified By:	C. SAVAGE		

		Chassis - Cover Assembly - Drive & Idle	
1	90-0930-0000	Side Cover Drive	1
2	90-0025-0000	Housing Slider	2
3	90-0035-0000	Pin Slider	2
4	90-0931-0000	Slider Brush	1
5	90-0854-0000	CR CSK Screw-SS304-M4x10	8
6	90-0932-0000	Side Cover Idle	1
8	90-0934-0000	Slider Transporter Assy	1
9	90-0935-0000	Slider Transporter	1
10	90-0936-0000	Guide Slider Transporter	1
11	90-0937-0000	CRCSK Self Tapping Screw SS304-3x9.5	1



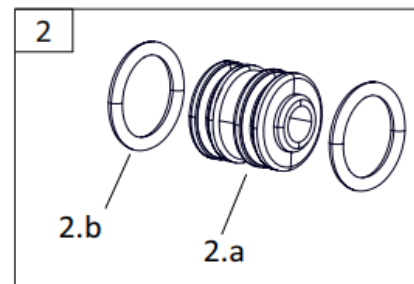
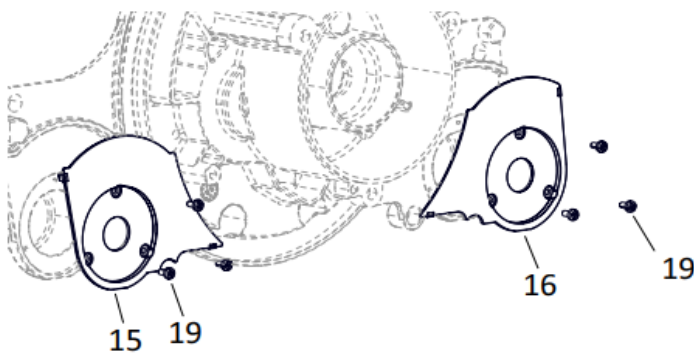
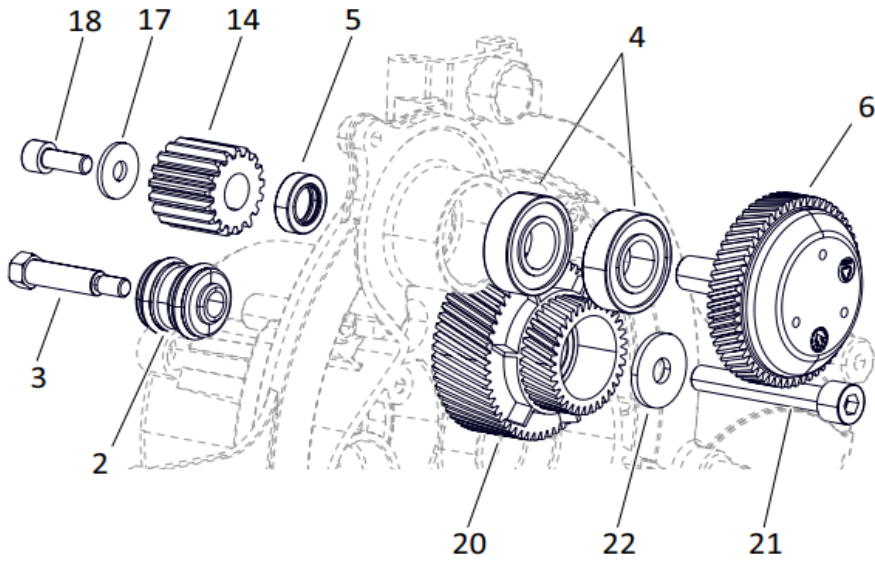
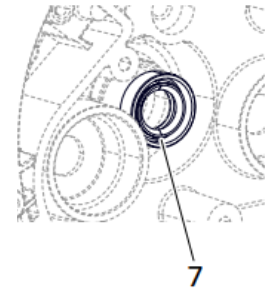
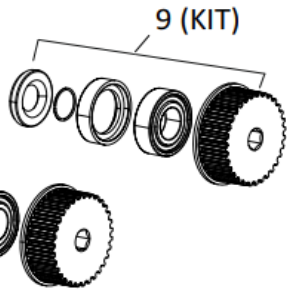
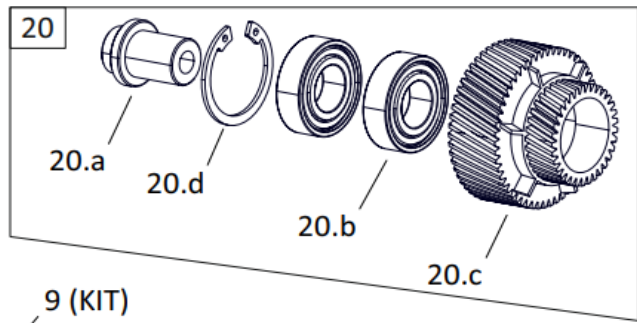
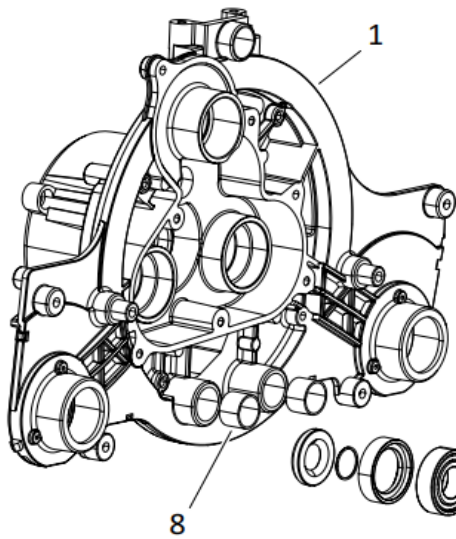
Tacony CFC	CHASSIS COVER ASSEMBLY DRIVE & IDLE		
Drawing Number:			
Machine	MWPRO340-STEAM		
Date:	15/08/2024	Description of Change	ECN No.
Drawing Issue:	A		
Modified By:	C. SAVAGE		

		Chassis - Drive Assy & Motor Assy	
1	90-0939-0000	Motor Assy Complete NW-3235 (340)	1
2	90-0941-0000	Housing Base Idle Assy	1
3	90-0782-0000	Drum Assy Complete 340	1
4	90-0784-0000	Fan Motor New	1
5	90-0144-0000	Hex Soc Head Cap Screw - SS304 - M6x15	3
6	90-0866-0000	Spring Washer - M4 - SS304	1
7	90-0869-0000	Dowel Pin 4x20	2
8	90-0786-0000	Motor Assy NW3235 (340)	1
9	90-0942-0000	Housing Base Drive Assy	1
10	90-0893-0000	MWPRO Gear RH/LH Assy Kit	1
12	90-0788-0000	Cover Gear Housing Assy	1
13	90-0943-0000	Soc Button Head Cap Screws-M6x15-SS304	7
14	90-0789-0000	Gasket Housing	1
15	90-0790-0000	Diverter	1
16	90-0944-0000	Cover Gear Housing	1
17	90-0894-0000	MWPRO Nut Drain Assy Kit	1
19	90-0795-0000	Oil Seal 17x30x7	2



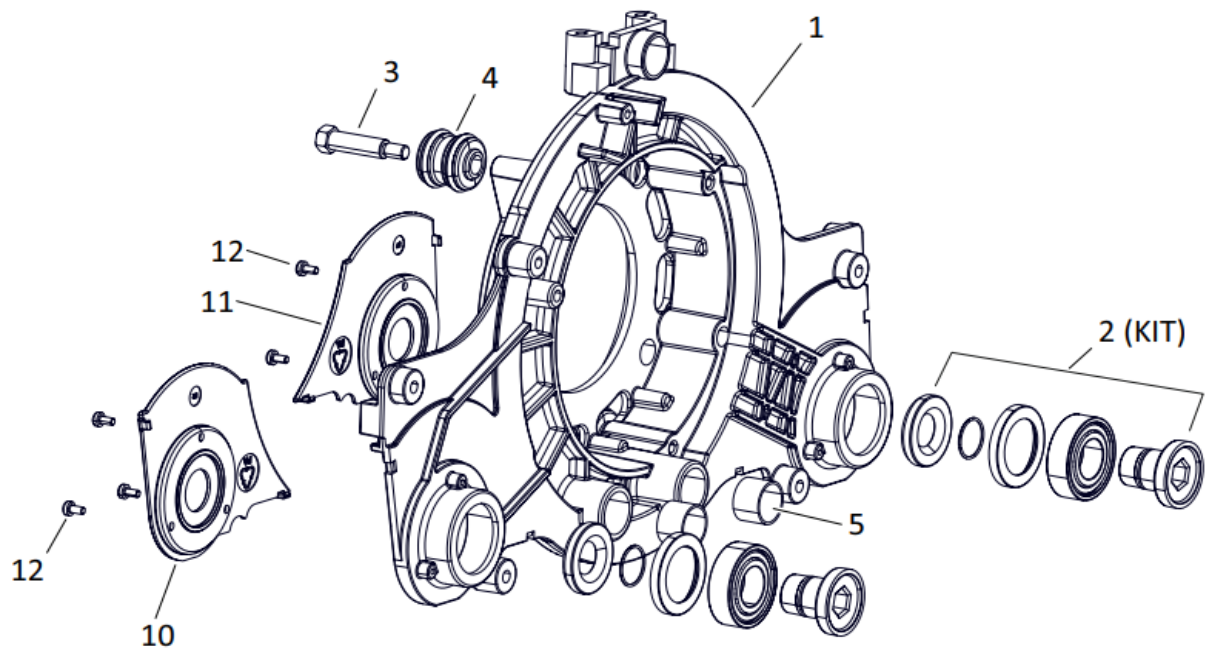
Tacony CFC		CHASSIS DRIVE ASSEMBLY & MOTOR ASSEMBLY	
Drawing Number:			
Machine	MWPRO340-STEAM		
Date:	15/08/2024	Description of Change	ECN No.
Drawing Issue:	A		
Modified By:	C. SAVAGE		

		Housing Base Drive	
1	90-0945-0000	Housing Base Drive	1
2	90-0946-0000	Wheel Drum Assy	4
2a	90-0947-0000	Wheel Drum	4
2b	90-0176-0000	O Ring Wheel	8
3	90-0948-0000	Stud Wheel Drum	4
4	90-0793-0000	DG Ball Bearing - 6002 2RS	2
5	90-0949-0000	Oil Seal 19x12x5	1
6	90-0794-0000	Gear Drum	1
7	90-0795-0000	Oil Seal Ø26xØ15x7	1
8	90-0950-0000	Sleeve Housing	2
9	90-0895-0000	MWPRO Sprocket Brush Assy Kit	2
14	90-0796-0000	Pinion Drum 17	1
15	90-0797-0000	Cap Bearing Drive Rear	1
16	90-0798-0000	Cap Bearing Drive Front	1
17	90-0864-0000	Plain Washer-SS304-6.4x18x1.6	1
18	90-0144-0000	Hex Soc Head Cap Screw-SS304-M6x15	1
19	90-0001-0000	CR Pan Head Screw-SS304-M3x6	6
20	90-0799-0000	Gear Double Assy	1
20a	90-0951-0000	Shaft Gear Double	1
20b	90-0009-0000	DG Ball Bearing - 6003 2RS	2
20c	90-0952-0000	Gear Double	1
20d	90-0953-0000	Circlip B35	1
21	90-0860-0000	Hex Soc Head Cap Screw - Steel 8.8-M8x50	1
22	90-0865-0000	Plain Washer-SS304-8.2x24x2.2	1



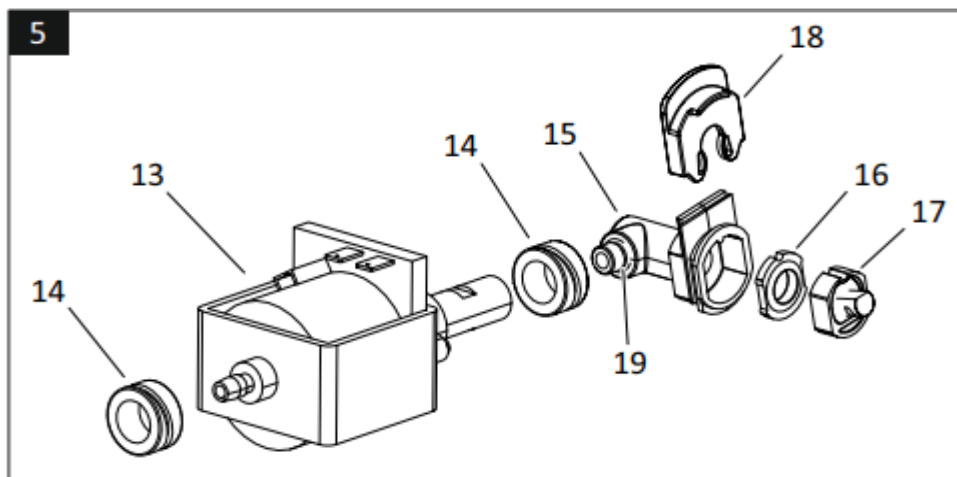
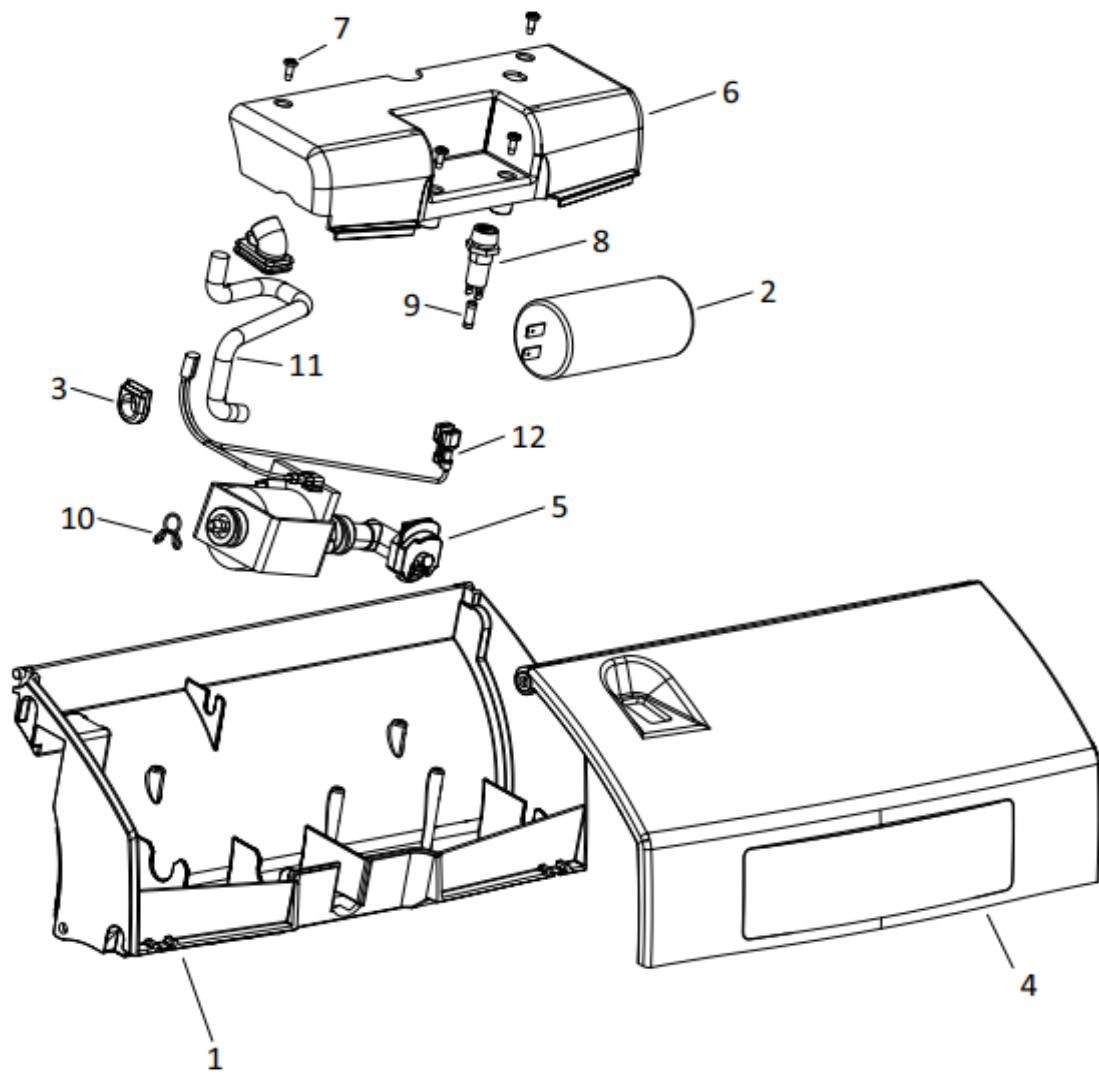
Tacony CFC		HOUSING BASE DRIVE	
Drawing Number:			
Machine	MWPRO340-STEAM		
Date:	15/08/2024	Description of Change	ECN No.
Drawing Issue:	A		
Modified By:	C. SAVAGE		

		Housing Base Idle	
1	90-0954-0000	Housing Base Idle	1
2	90-0896-0000	MWPRO Bush Brush Shaft Assy Kit	2
3	90-0955-0000	Stud Wheel Drum	4
4	90-0956-0000	Wheel Drum Assy	4
5	90-0957-0000	Sleeve Housing	2
10	90-0801-0000	Cap Bearing Idler Rear	1
11	90-0802-0000	Cap Bearing Idler Front	1
12	90-0001-0000	CR Pan Head Screw-SS304-M3x6	6



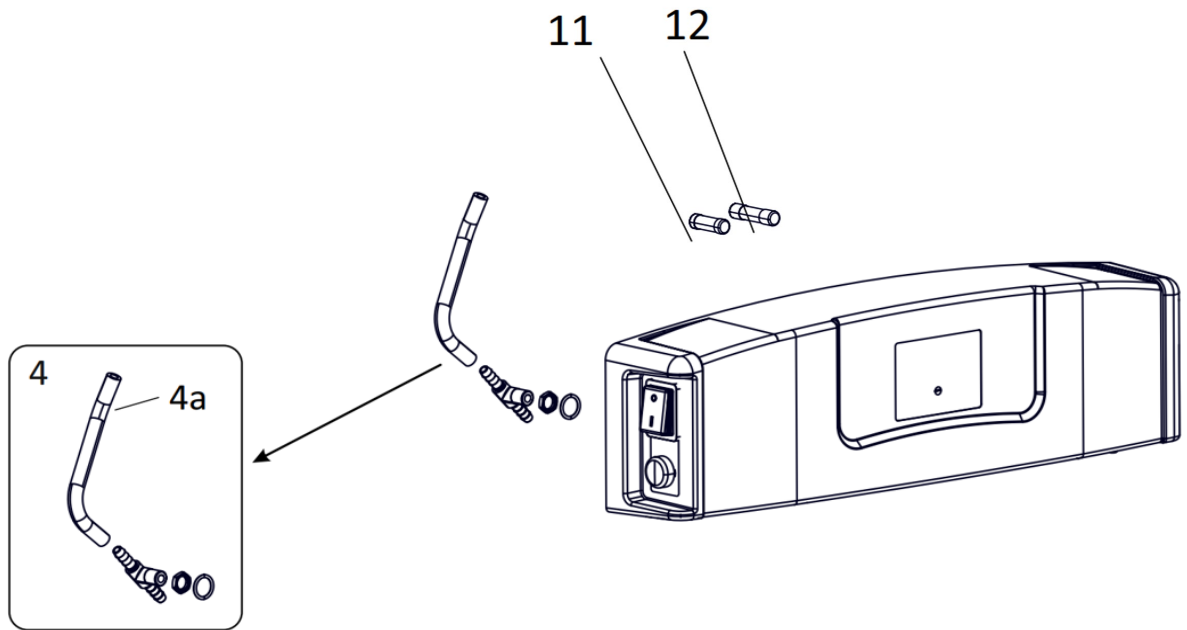
Tacony CFC		HOUSING BASE IDLE	
Drawing Number:			
Machine	MWPRO340-STEAM		
Date:	15/08/2024	Description of Change	ECN No.
Drawing Issue:	A		
Modified By:	C. SAVAGE		

		Pump Housing MWPRO340-Steam	
1	90-0809-0000	Pump Housing - 34	1
2	90-0811-0000	Capacitor 26mfd (340)	1
3	90-0813-0000	Grommet Pump Housing	1
4	90-0814-0000	Cover Pump Housing MWPRO-34 With labels	1
5	90-0969-0000	Pump Assy - 34-44	1
6	90-0970-0000	Inner Cover - 34-44	1
7	90-0183-0000	CRPH Self Tap Screw - SS304-3.5x9.5F	4
8	90-0816-0000	Fuse Holder - 6A	1
9	90-0817-0000	Glass Fuse - T 0.5A	1
10	90-0818-0000	Clip Hose 9	1
11	90-0819-0000	Hose - NW	1
12	90-0820-0000	Cable Assy CA05 (X4 to F2, P1)	1
13	90-0102-0000	Vibrating Pump 230V/50Hz	1
14	90-0821-0000	Spacer Pump	2
15	90-0822-0000	Adaptor Nozzle - 34	1
16	90-0093-0000	Seal Nozzle	1
17	90-0823-0000	Base Nozzle - 34-400ML	1
18	90-0824-0000	Lock Nozzle	1
19	90-0100-0000	O Ring Pump	1



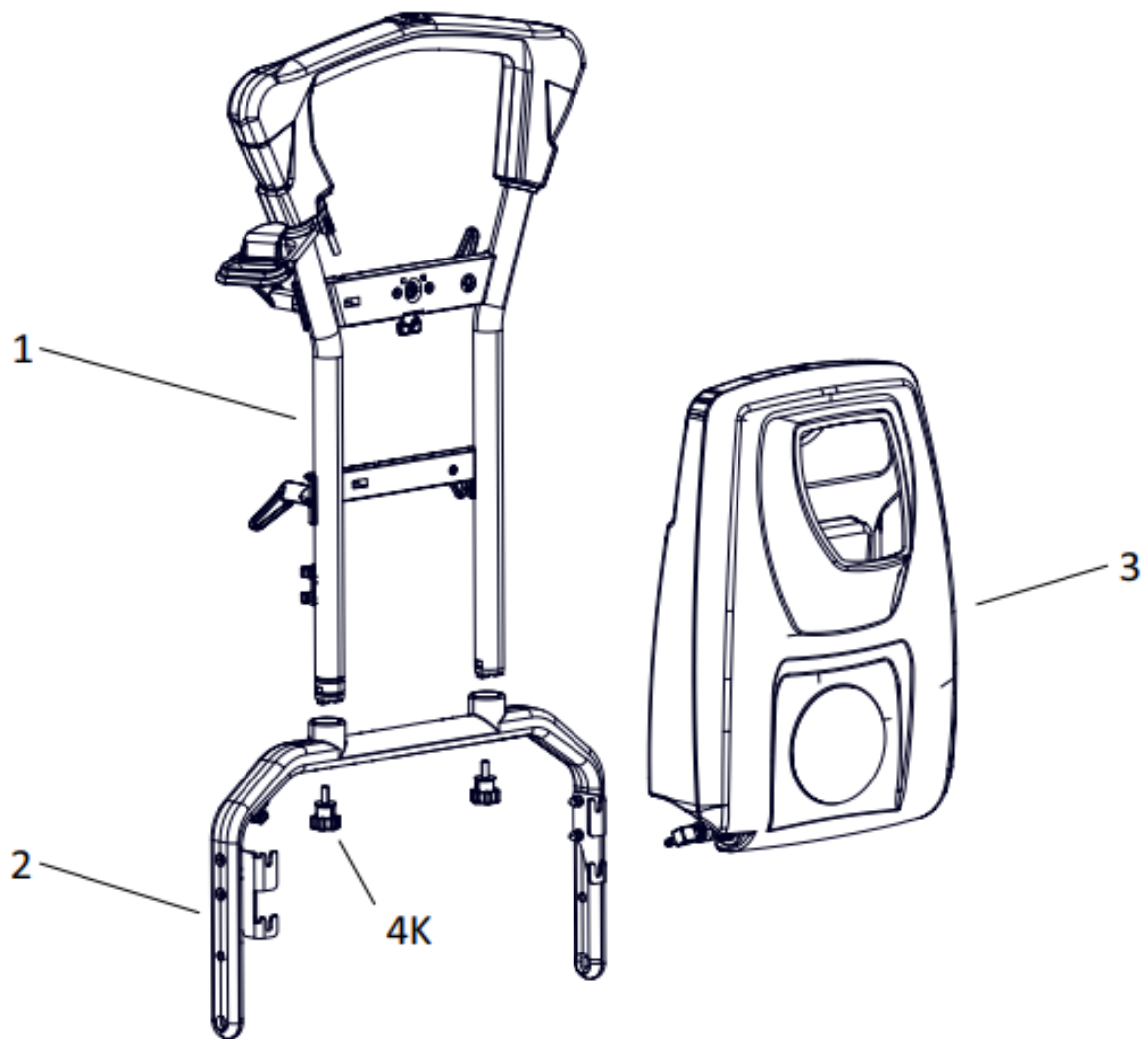
Tacony CFC		PUMP HOUSING - MWPRO340-STEAM	
Drawing Number:			
Machine	MWPRO340-STEAM		
Date:	15/08/2024	Description of Change	ECN No.
Drawing Issue:	A		
Modified By:	C. SAVAGE		

Steamer Unit Parts 230V			
4	90-1057-0000	Rear Steam Unit Hose & Connector Assy	
4a	90-1073-0000	Rear Steam Unit Hose	
11	90-0817-0000	Glass Fuse - T 0.5A	
12	90-1062-0000	Glass Fuse - T 10A	



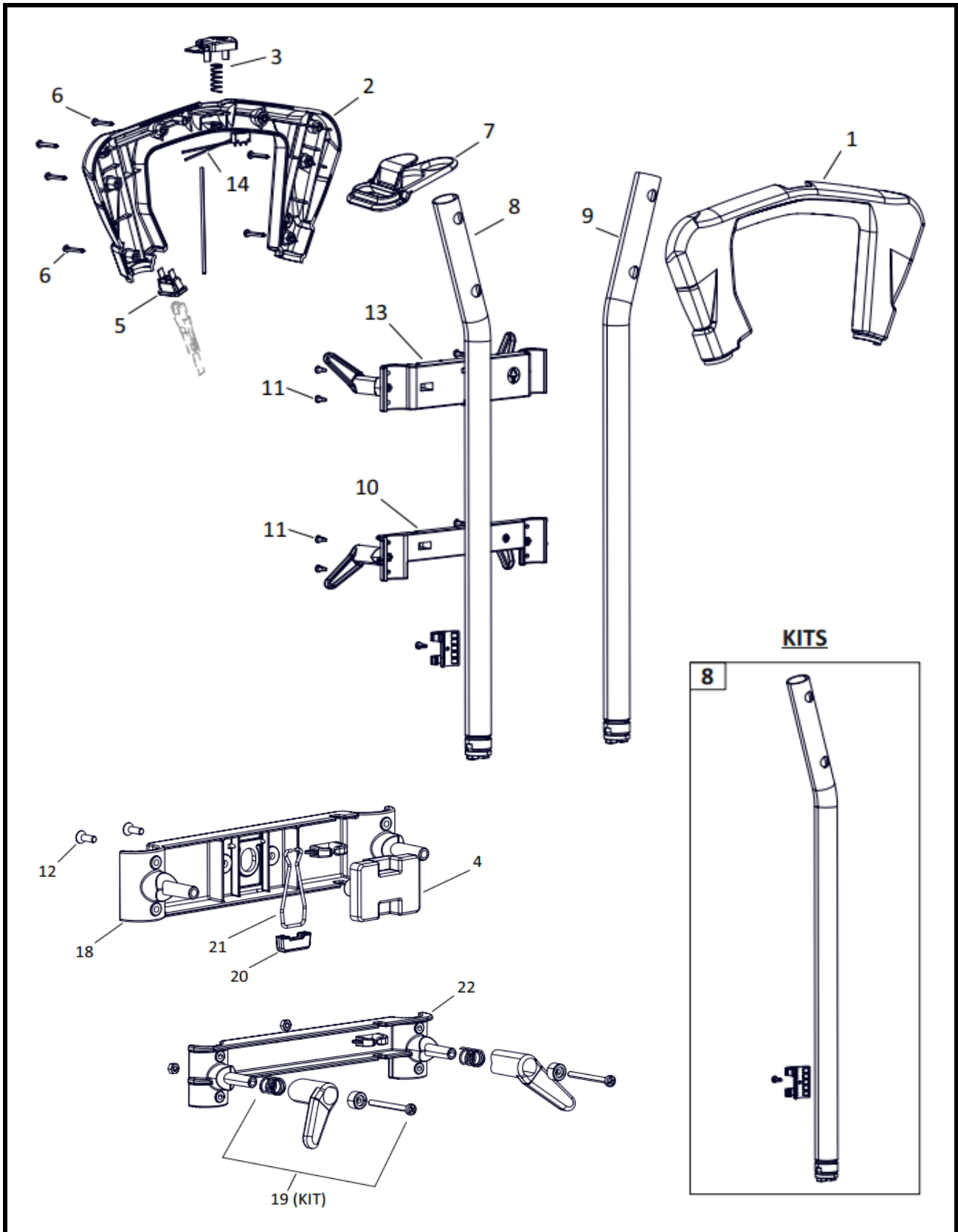
Tacony CFC		STEAMER UNIT PARTS - 230V	
Drawing Number:			
Machine	MWPRO340-STEAM		
Date:	15/08/2024	Description of Change	ECN No.
Drawing Issue:	A		
Modified By:	C. SAVAGE		

		Handle Assy MWPRO340-Battery	
1	90-0979-0000	Top Handle Assy MWPRO340-Battery	1
2	90-1069-0000	Bottom Handle Assy MWPRO340-Steam-Battery	1
3	90-0980-0000	Tank Assy 4L	1
4K	90-0981-0000	MWPRO Knob Handle Assy Kit	1



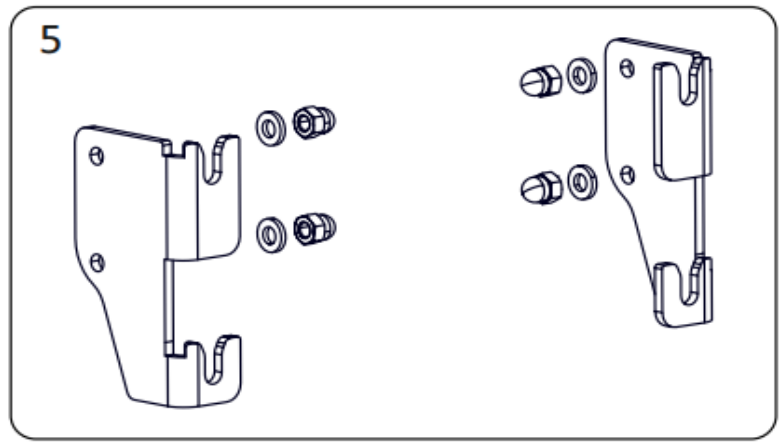
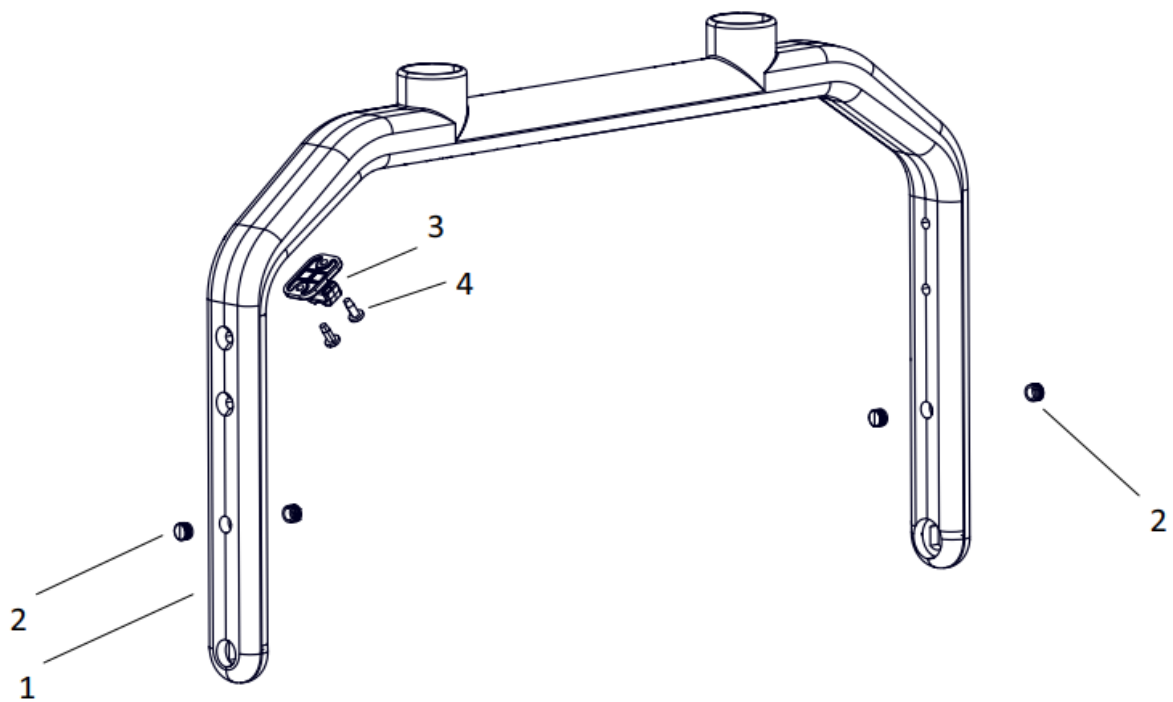
Tacony CFC		HANDLE ASSEMBLY - MWPRO340-STEAM	
Drawing Number:			
Machine	MWPRO340-STEAM		
Date:	15/08/2024	Description of Change	ECN No.
Drawing Issue:	A		
Modified By:	C. SAVAGE		

		Top Handle Assembly MWPRO340-Battery	
1	90-0884-0000	Top Handle - 34-44	1
2	90-0885-0000	Top Handle Rear - 34-44	1
3	90-0898-0000	MWPRO Lever Button Pump Assy Kit	1
4	90-1002-0000	Guide Spring Lock	1
5	90-1036-0000	C8 Connector 2 Way	1
6	90-0852-0000	CRPH Self Tapping Screw SS304-3.5x25	8
8	90-0900-0000	MWPRO Pipe Handle Assy RH - 34-44 Kit	1
9	90-0983-0000	Pipe Handle LH Assy - 34-44	1
10	90-0984-0000	Cable Holder Bottom Assy - 24-34-44	1
11	90-0183-0000	CRPH Self Tap Screw - SS304-3.5x9.5F	9
12	90-1003-0000	Hex Soc CSK Screw - SS304-M4x12	2
13	90-0985-0000	Cable Holder Top Assy - 34-44	1
14	90-1037-0000	Cable Assy CA06-(S4 to X4)	1
18	90-0838-0000	Cable Holder Top	1
19	90-0903-0000	MWPRO Knob Cable Holder Assy Kit	4
20	90-1001-0000	Button Spring Lock	1
21	90-0836-0000	Spring-Tank Lock	1
22	90-0990-0000	Cable Holder Bottom	1



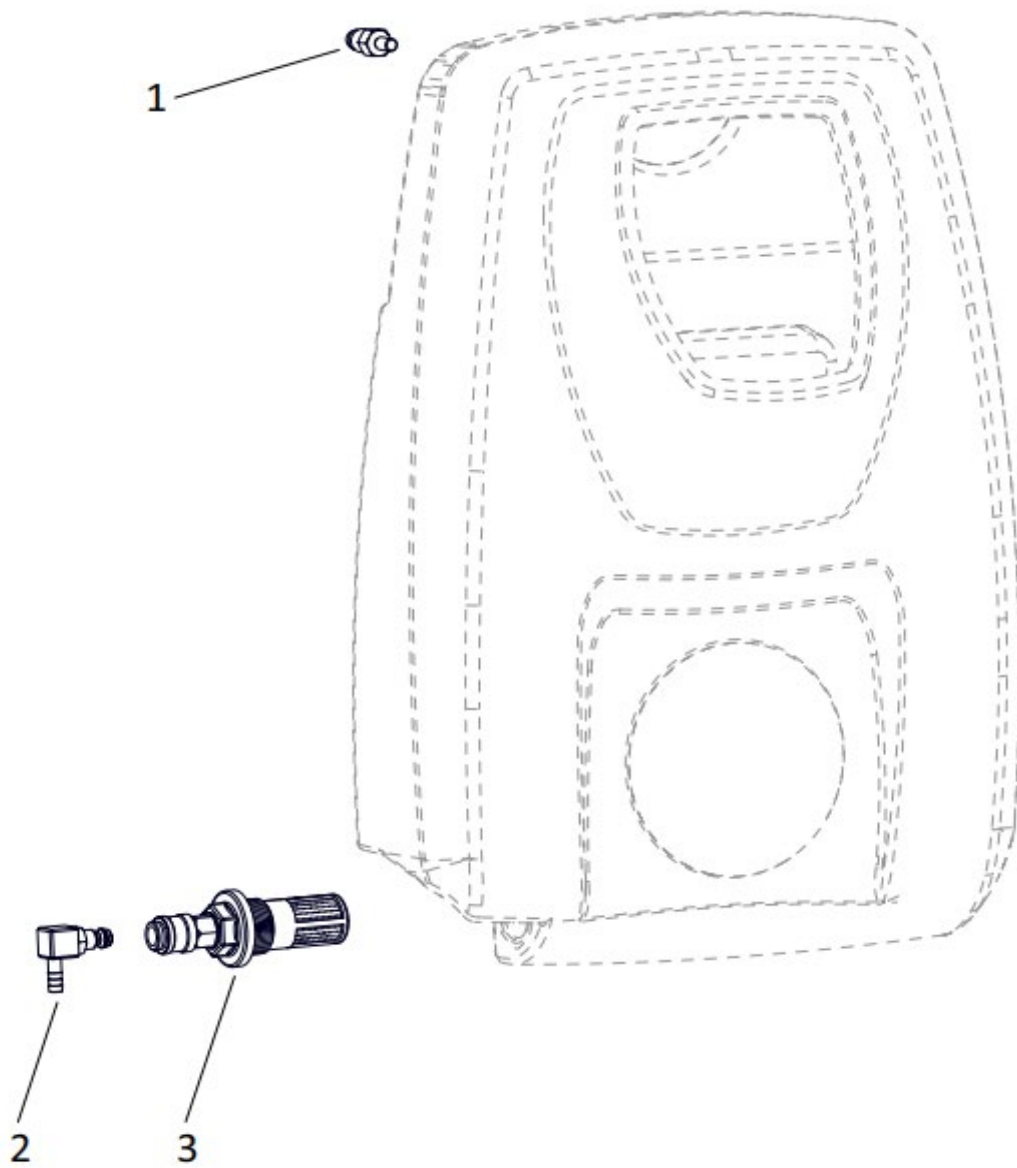
Tacony CFC		TOP HANDLE ASSEMBLY MWPRO340-STEAM	
Drawing Number:			
Machine	MWPRO340-STEAM		
Date:	15/08/2024	Description of Change	ECN No.
Drawing Issue:	A		
Modified By:	C. SAVAGE		

		Bottom Handle Assy MWPRO340-Battery	
1	90-1070-0000	Bottom Handle MWPRO-Steam-Battery	1
2	90-0989-0000	Plug Bottom Handle	4
3	90-0833-0000	Guide Cable	1
4	90-0183-0000	CRPH Self Tap Screw - SS304-3.5x9.5F	2
5	90-1071-0000	Mounting Bracket Kit - MWPRO-Steam-Battery	1

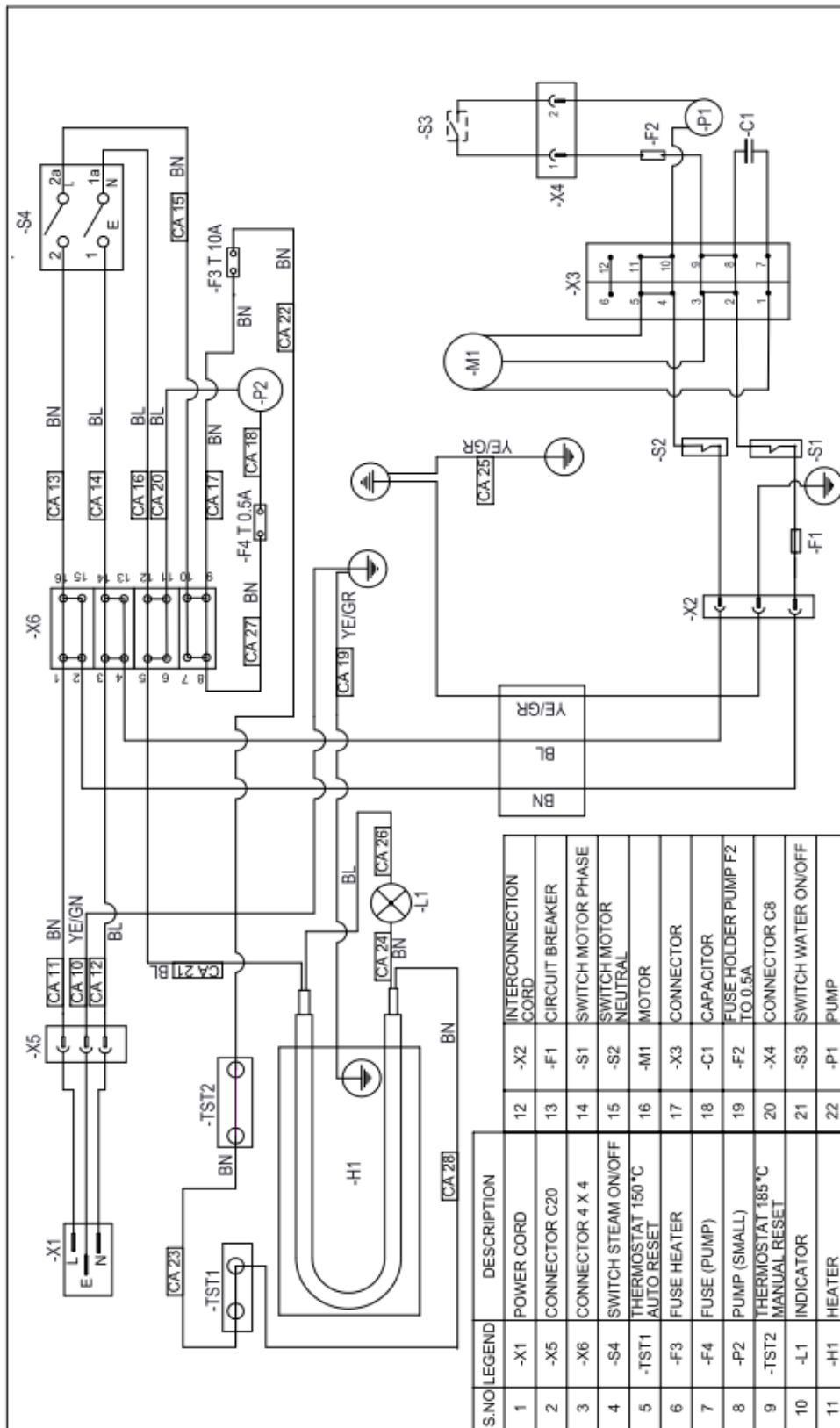


Tacony CFC		BOTTOM HANDLE ASSY - MWPRO340-STEAM	
Drawing Number:			
Machine	MWPRO340-STEAM		
Date:	15/08/2024	Description of Change	ECN No.
Drawing Issue:	A		
Modified By:	C. SAVAGE		

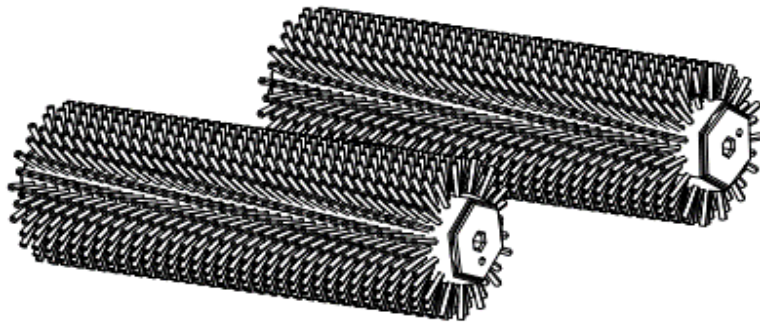
		Tank Assembly - 4L	
1	90-0839-0000	Pin Lock Tank	1
2	90-0828-0000	L Connector Assy	1
3	90-0904-0000	MWPRO Base Filter Assy Kit	1



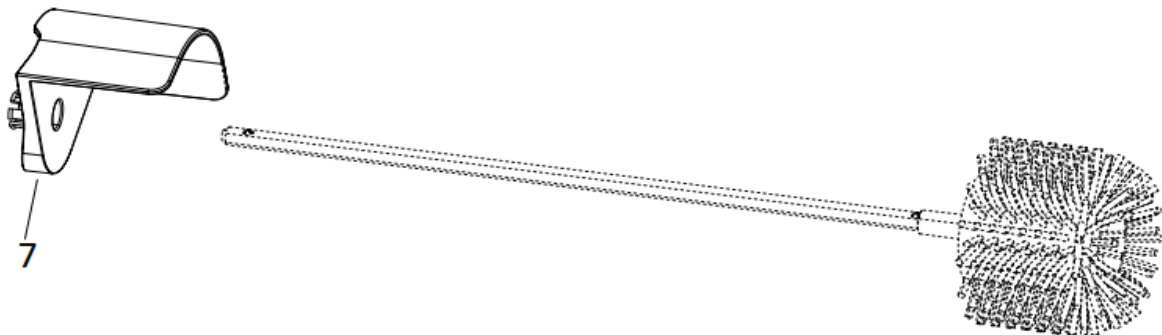
Tacony CFC		TANK ASSEMBLY - 4L	
Drawing Number:			
Machine	MWPRO340-STEAM		
Date:	15/08/2024	Description of Change	ECN No.
Drawing Issue:	A		
Modified By:	C. SAVAGE		



Tacony CFC		WIRING DIAGRAM	
Drawing Number:			
Machine	MWPRO340-STEAM		
Date:	15/08/2024	Description of Change	ECN No.
Drawing Issue:	A		
Modified By:	C. SAVAGE		

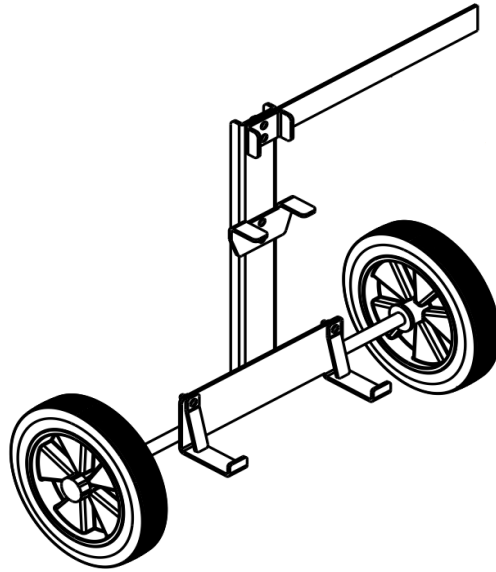


	Part No.	Brushes	Qty
	90-0728-0000	Standard Brush - Black (pack of 2)	1
	90-0731-0000	Soft Brush - Grey (pack of 2)	1
	90-0734-0000	Hard Brush - Blue (set of 2)	1
	90-1020-0000	Escalator Brush - Blue (set of 2)	1

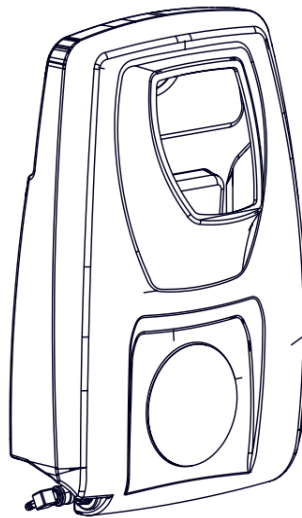


Item No.	Part No.	Side Brush Group	Qty
	90-0723-0000	Standard Side Brush - Black	1
	90-0845-0000	Soft Side Brush - Grey	1
	90-0846-0000	Hard Side Brush - Blue	1
7	90-0851-0000	Shield Side Brush	1

Tacony CFC		ACCESSORIES	
Drawing Number:			
Machine	MWPRO340...		
Date:	15/08/2024	Description of Change	ECN No.
Drawing Issue:	A		
Modified By:	C. SAVAGE		



	Part No.	Trolley	Qty
	05-4781-0000	MW Trolley	1



	Part No.	7L Tank	Qty
	90-0826-0000	7 Litre Tank	1

Tacony CFC		ACCESSORIES	
Drawing Number:			
Machine	MWPRO...		
Date:	15/08/2024	Description of Change	ECN No.
Drawing Issue:	A		
Modified By:	C. SAVAGE		