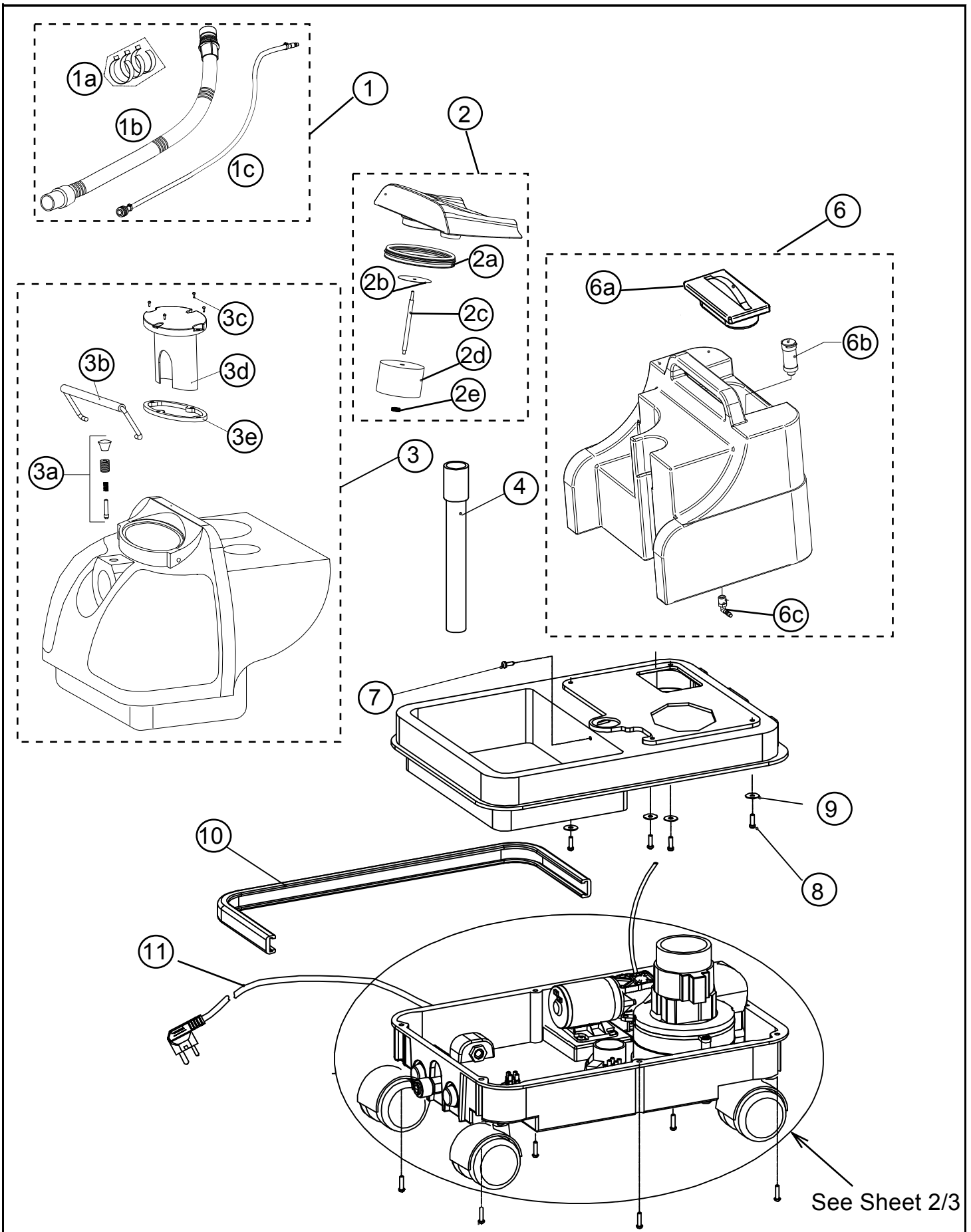


Tacony CFC		Hydromist 10HD Parts List	
Part Number:	HMI0HD		
Series:	B		
Date:	06-Nov-19		
Reference Drawing Number:	HMI0HD (Sheets 1, 2 & 3)		
Reference Drawing Issue:	C		
Modified By:	J WYLES		
Service Parts List Issue:	6	ECN #	
Description of Change:	EURO Power Cord Included		-

Ref. No.	Part No.	Part Description	Qty
		DRAWING REFERENCE: HM10HD SHEET 1	
1	93-0125-0000	HYDROMIST 3M HOSE ASSEMBLY	1
1a	93-0074-0000	3 VELCRO TIE WRAPS	1
1b	93-0048-0000	3M VACUUM HOSE D 32mm	1
1c	93-0066-0000	3M SPRAY HOSE	1
2	93-0103-0000	TOP COVER ASSEMBLY	1
3	93-0099-0000	RECOVERY TANK ASSEMBLY 10 LITRE	1
3a	93-0089-0000	SECURING DEVICE ASSEMBLY	1
3b	93-0107-0000	TANK HANDLE	1
3c	93-0071-0000	SCREW PLASTIC CBZ 5x14 ZN (4 off)	1
3d	03-7874-0020	RECOVERY TANK INLET COVER	1
3e	03-7893-0000	RECOVERY TANK INLET COVER SEAL	1
2a	93-0097-0000	RECOVERY TANK LID GASKET (included in Lid Assembly)	1
2b	93-0085-0000	GAUZE 5/10E Stainless Steel (included in Lid Assembly)	1
2c	93-0084-0000	RECOVERY TANK FILTER SHAFT (included in Lid Assembly)	1
2d	93-0086-0000	FOAM FLOAT (included in Lid Assembly)	1
2e	93-0087-0000	M5 NYLON NUT (included in Lid Assembly)	1
4	93-0105-0000	AIR FLOW INLET PIPE ASSEMBLY 10 LITRE	1
6	93-0186-0000	SOLUTION TANK ASSEMBLY 10 LITRE (black RAL9005)	1
6a	93-0183-0000	SOLUTION TANK STOPPER (black RAL9005)	1
6b	93-0022-0000	SOLUTION TANK FILTER	1
6c	93-0076-0000	ELBOW COUPLING 06 1/4 PLASTIC	1
7	93-0056-0000	SCREW CBLZ ST 4.8X13 C ZN	1
8	93-0016-0000	SCREW CBLZ ST M5X16 ZN HEAD D.8MM	1
9	93-0075-0000	FLAT WASHER LL5	1
10	93-0025-0000	BUMPER L 1.58 ES95-145	1
11a	93-0042-0000	POWER CORD UK (UK ONLY)	1
11b	04-4019-0000	POWER CORD EURO 2CORE 1MMSQ YELLOW FERRUED (EURO C	1
		DRAWING REFERENCE: HM10HD SHEET 2	
12	93-0043-0000	FLAT WASHER M6 STAINLESS STEEL	6
13	93-0012-0000	NUT HU M6 STAINLESS STEEL	9
14	93-0068-0000	BLACK SPACER PVC 6.5X13.60	1
15	93-0021-0000	FLAT WASHER M12 STAINLESS STEEL	1
16	93-0017-0000	SCREW CBLZ ST 2.9X19 C ZN	1
17	93-0057-0000	RIGHT CONNECTION D8MM	1

18	93-0082-0000	CABLE SECURING DEVICE	1
19	93-0184-0000	TOP COVER EXTRACTION (Black RAL9005)	1
20	93-0185-0000	STRUCTURAL PLASTIC BASE HYDROMIST SWITCH	1
21	93-0058-0000	COUPLING NICKEL	1
22	93-0028-0000	SWITCH ASSEMBLY	2
23	93-0002-0000	LABEL - SPRAY	1
24	93-0001-0000	LABEL - VACUUM	1
25	93-0116-0000	HYDROMIST 10 CASTOR KIT (4 off Castors)	1
26	93-0013-0000	SCREW H M6X20 ZN	6
27	93-0081-0000	SCREW RCC JAPY M6X100 ZN	1
28	93-0041-0000	SCREW RCC JAPY M6X90 ZN 014854	2
29	93-0182-0000	EXHAUST ASSEMBLY (Black RAL9005)	1
30	93-0056-0000	SCREW CBLZ ST 4.8X13 C ZN	1
31	93-0070-0000	BLACK SPACER PVC 6.5X13X78	1
32	93-0069-0000	BLACK SPACER PVC 6.5X13X66	1
33	93-0113-0000	VACUUM MOTOR HOLDER ASSEMBLY	1
34	93-0019-0000	WASHER GROWER W6	3
35	93-0014-0000	VACUUM TURBINE BP TANG 1000W 230V	1
Not Shown	93-0139-0000	PRESSURE SWITCH KIT	1
Not Shown	93-0006-0000	RD SLEEVE D 4x3000MM	2
Not Shown	93-0077-0000	TIE WRAP COLRING 2.4X95	10
Not Shown	93-0023-0000	RED WIRE TERMINAL 1MM	2
Not Shown	93-0037-0000	4 POLE TERMINAL + WIRES + CAPACITOR	1
Not Shown	93-0034-0000	4 POLE TERMINAL + WIRES ES95-145 ASSEMBLY	1
		DRAWING REFERENCE: HM10HD SHEET 3	
36	93-0080-0000	PUMP ASSEMBLY ES95 145 230V	1
36a	93-0009-0000	BROWN WIRE 500mm	1
36b	93-0045-0000	HOSE 0.41M 6X8	2
36c	93-0055-0000	ELBOW COPLING 06 3/8in	1
36d	93-0007-0000	RADIO SUPPRESSOR	1
36e	93-0008-0000	PUMP 230V 40W EXC NO1	1
36f	93-0127-0000	ES PUMP MOTOR	1
36g	93-0133-0000	PUMP HEAD	1



Tacony CFC

Hydromist 10HD Parts List

Part Number:

HMI0HD

Date: 29-Jun-18

Sheet no.

Drawing Number: HMI0HD

1 / 3

Drawing Issue: C

Modified By: J WYLES

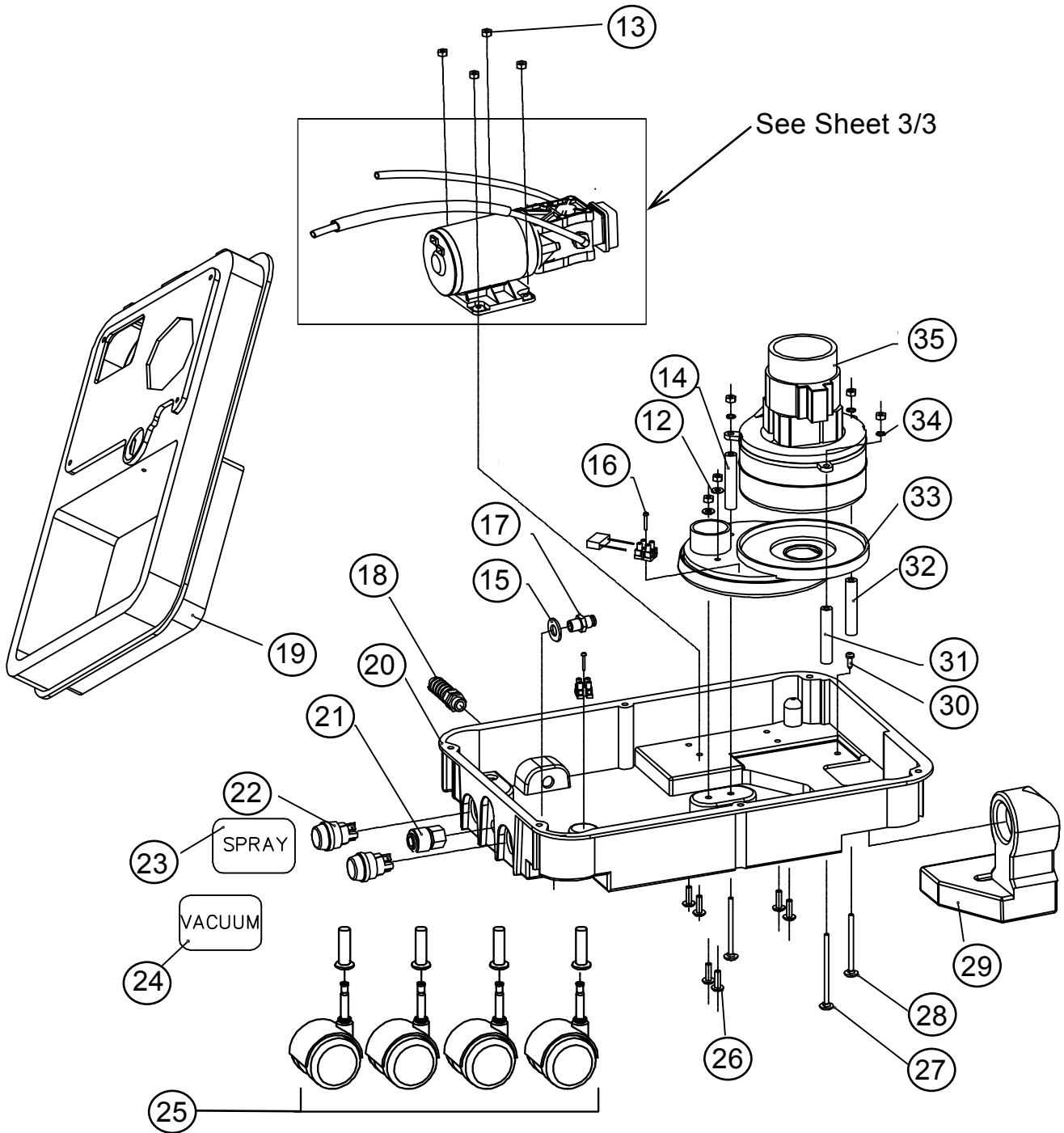
DESCRIPTION OF CHANGE

ECN #

Reference Parts List Issue: 6

-

-



Tacony CFC

Hydromist 10HD Parts List

Part Number:

HMI0HD

Date: 29-Jun-18

Sheet no.

Drawing Number: HMI0HD

2 / 3

Drawing Issue: C

Modified By: J WYLES

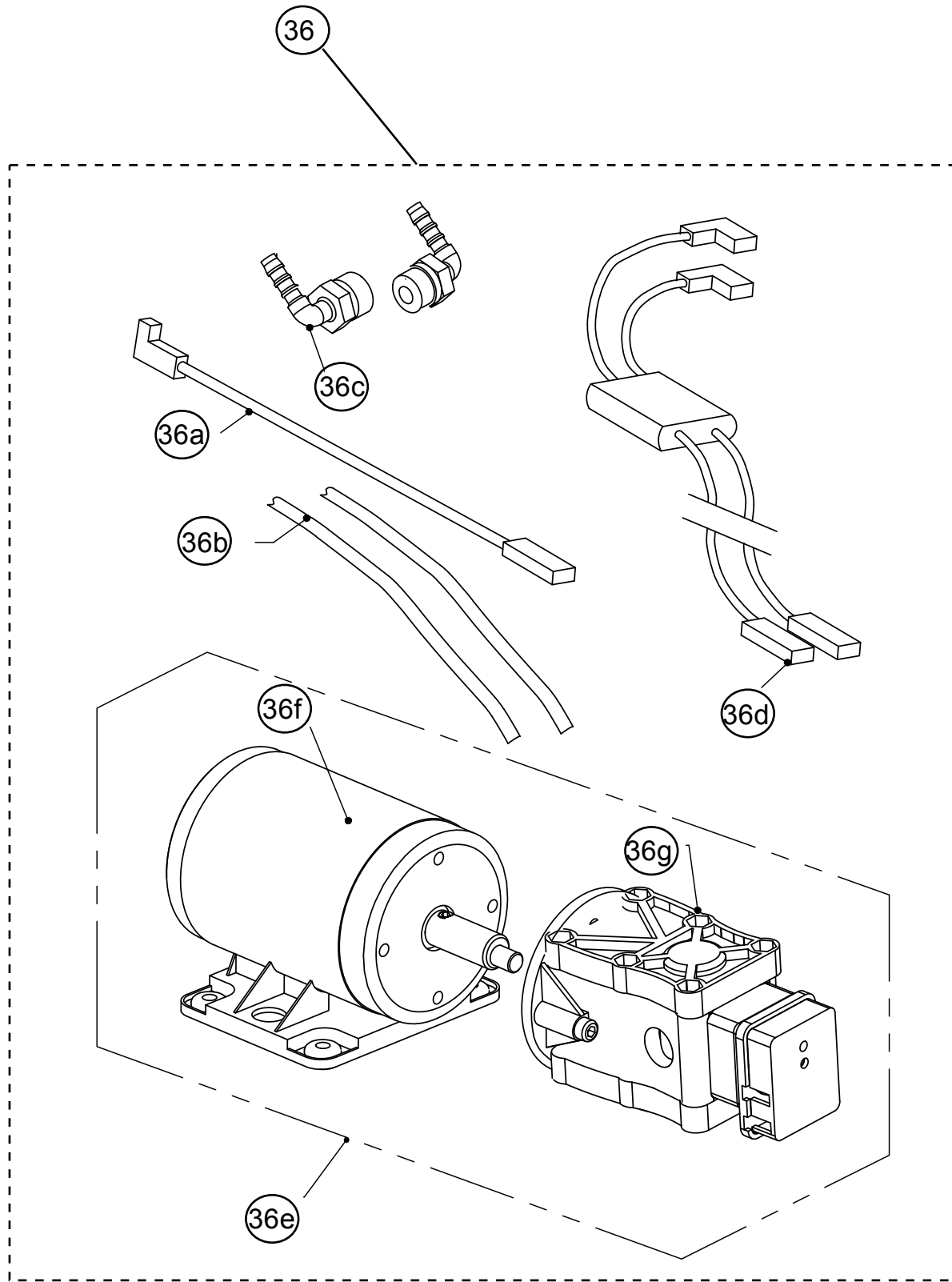
DESCRIPTION OF CHANGE

ECN #

Reference Parts List Issue: 6

-

-



Tacony CFC

Hydromist 10HD Parts List

Part Number:

HMI0HD

Date: 29-Jun-18

Sheet no.

Drawing Number: HMI0HD

3 / 3

Drawing Issue: C

Modified By: J WYLES

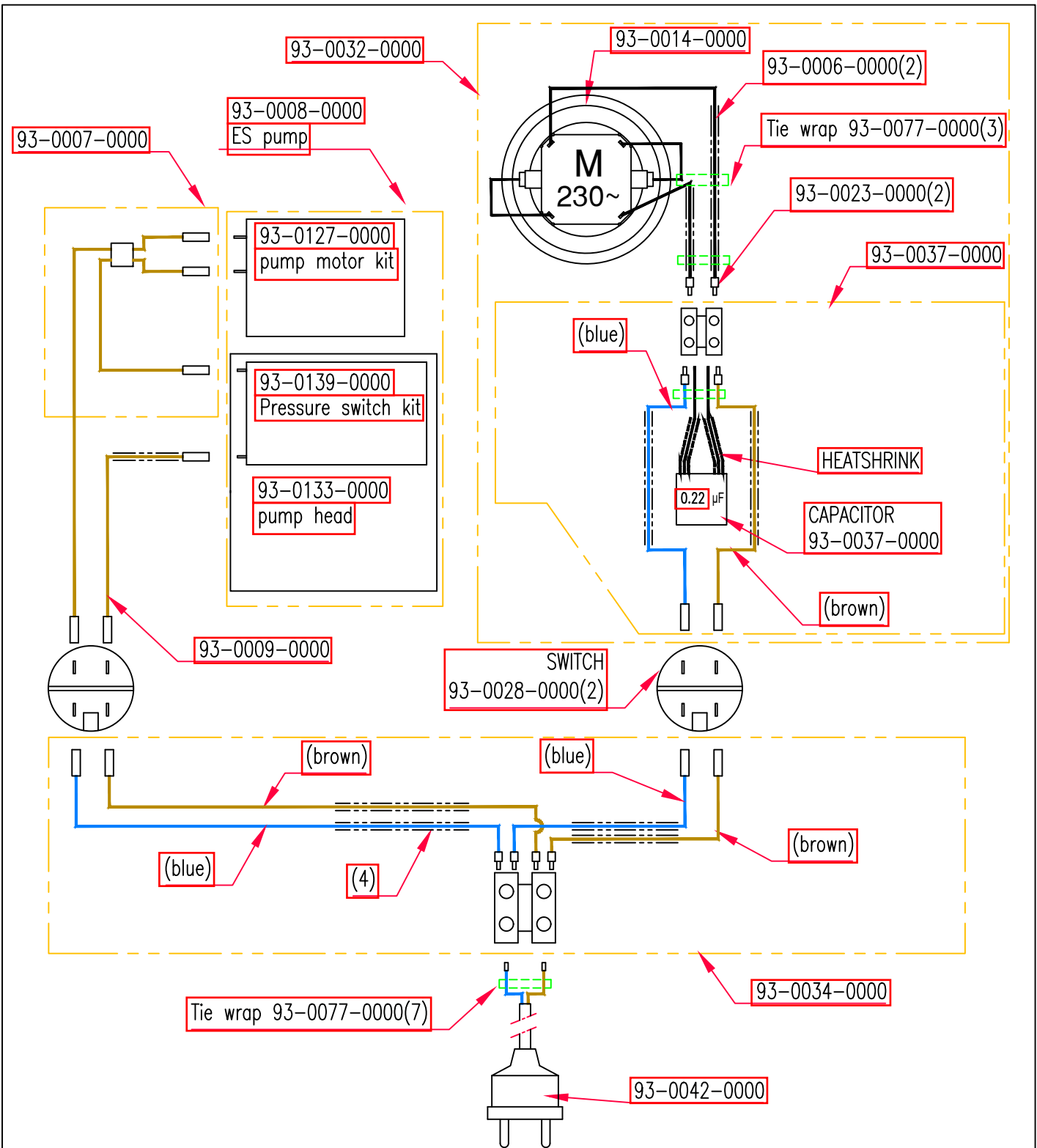
DESCRIPTION OF CHANGE

ECN #

Reference Parts List Issue: 6

-

-



B	18/10/2017	DG		Maj réf pompe
A	01/06/2005	DG		Modifications
Ind.	Date	Dessiné	Vérifié	
MATIERE		usage général		
TRAITEMENT		tolérance générale		ECLATE / EXTRAC / TRUVOX ELEC
AFFECTATION	HM10HD & 20HD			Echelle
				Folio 1/1
DESIGNATION	HYDROMIST HM10HD & 20HD WIRING KIT			PLAN N° 93-0150-0000
				B