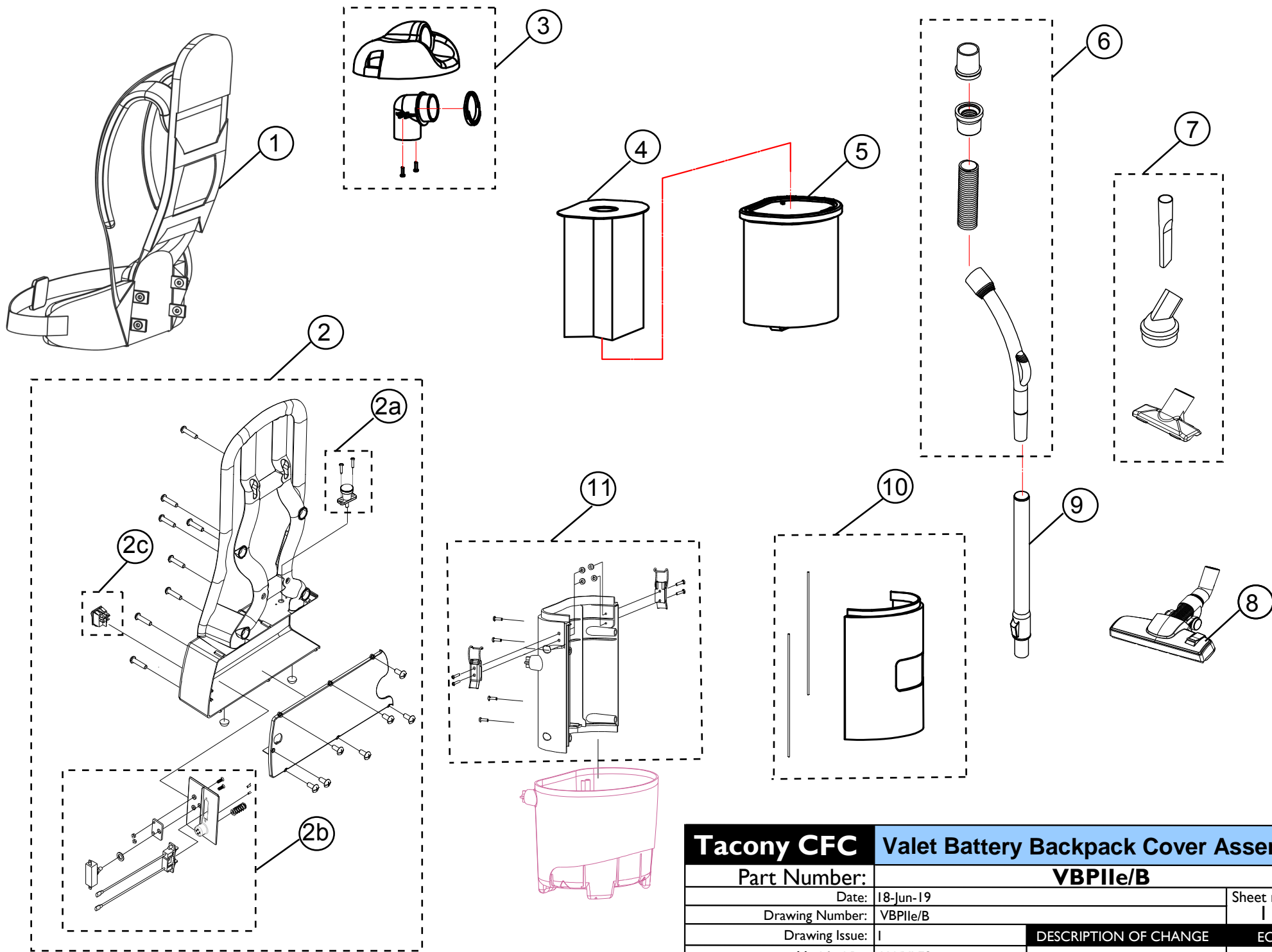
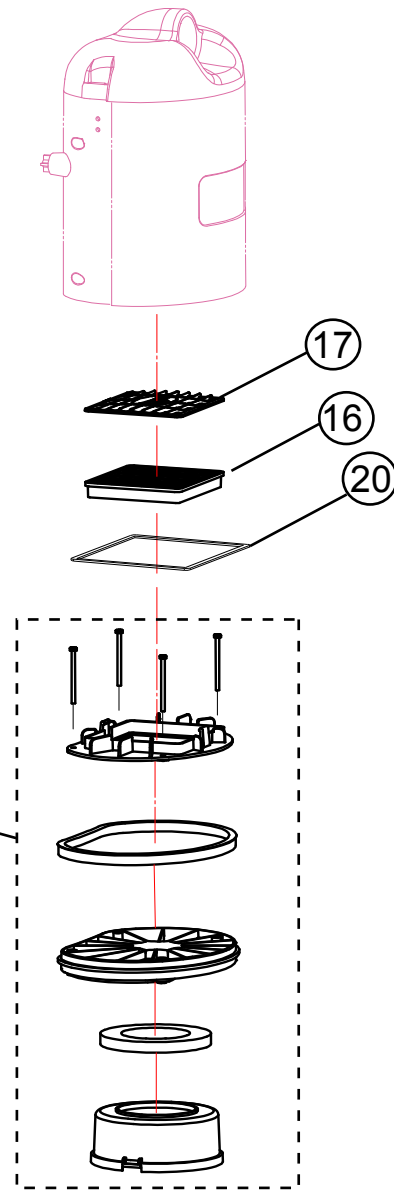
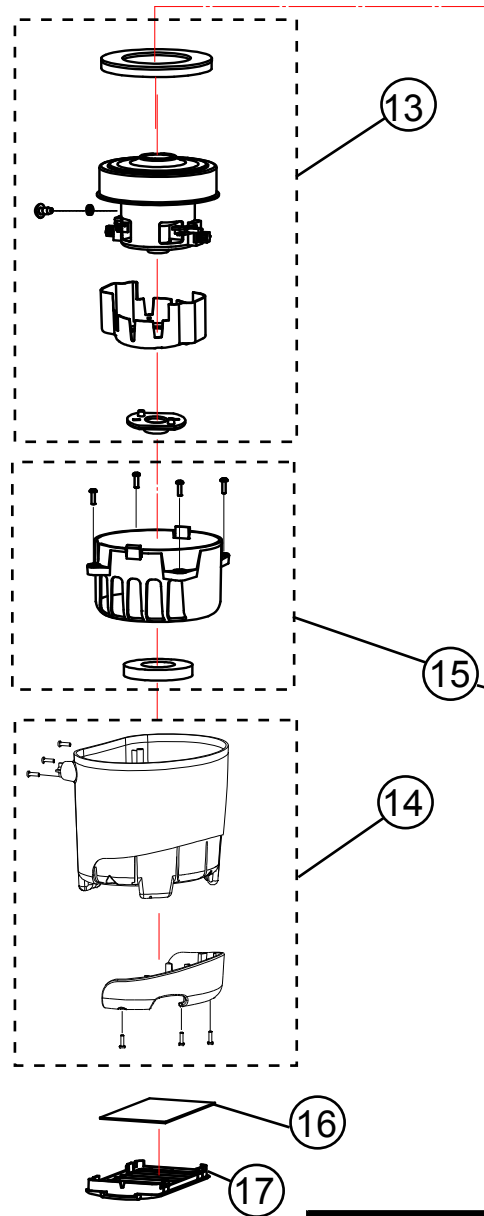
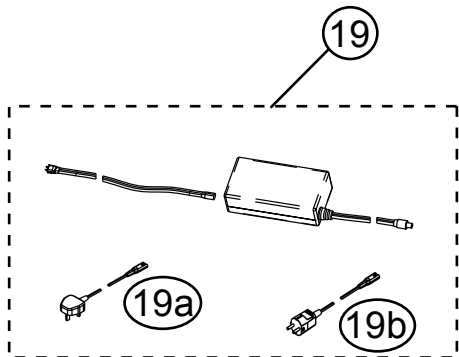
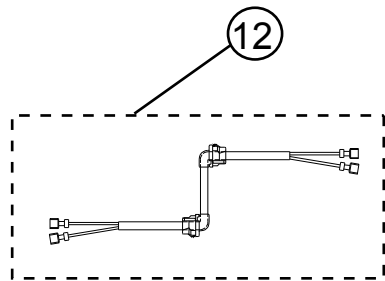
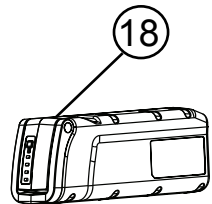


Tacony CFC		Valet Battery Backpack Parts List	
Part Number:	VBPIIe/B		
Series:	A		
Date:	17-Jun-19		
Reference Drawing Number:	VBPIIe/B		
Reference Drawing Issue:	A		
Modified By:	J WYLES		
Service Parts List Issue:	I	ECN #	
Description of Change:	-	-	

Ref. No.	Part No.	Part Description	Qty
		DRAWING SHEET 1: COVER ASSEMBLY	
1	89-0043-0000	Harness Deuter including Elastic Strip	1
2	05-4764-0000	Backrest Frame Assembly Incl Push Switch	1
2a	89-0039-0000	Plunger Kit	1
2b	05-4765-0000	Terminal Assembly Incl Push Switch	1
2c	89-0041-0000	Switch Rocker	1
3	89-0012-0000	Cover Assy Black RAL9005	1
4	89-0037-0000	Fleece Vacuum Bags PK of 10 VBP	1
5	89-0009-0000	Shake Out Bag	1
6	89-0042-0000	Hose Assy L2m OD32mm (Flat elbow vent)	1
7	89-0016-0000	Dusting Brush, Crevice Tool and Up Tool ID32mm	1
8	HB15C	Eco Carpet Floor Tool 2017	1
9	89-0010-0000	Telescopic Wand L563-943mm	1
10	89-0044-0000	Front Plate Assy	1
11	89-0045-0000	Back Plate and Latch Assy	1
		DRAWING SHEET 2: MOTOR ASSEMBLY	
12	89-0046-0000	Battery Cord Assy	1
13	89-0047-0000	Motor DC 12.5A 36V Kit	1
14	89-0048-0000	Motor Housing Kit	1
15	89-0021-0000	Motor Mount Kit	1
16	89-0019-0000	Filter Assy	1
17	89-0020-0000	Filter Frame Assy	1
18	X1200	VBPIIe/B Lithium Ion Battery 361Wh	1
19	89-0049-0000	Charger 36Vdc 5.3A 240V ac 50-60Hz	1
19a	04-3981-0000	CHARGER POWER LEAD UK	1
19b	04-3978-0000	Charger Power Cord Euro	1
20	89-0018-0000	Seal	1
		ACCESSORIES	
Not Shown	U2-U11-078	Paper Vacuum Bags PK of 10 VBP	1
Not Shown	RD277	ECO floor tool 2014	1
Not Shown	RD270	Floor Tool	1



Tacony CFC		Valet Battery Backpack Cover Assembly	
Part Number:	VBPIIe/B		
Date:	18-Jun-19	Sheet no. 1 / 2	
Drawing Number:	VBPIIe/B	DESCRIPTION OF CHANGE	
Drawing Issue:	I	ECN #	
Modified By:	J WYLES	-	



Tacony CFC		Valet Battery Backpack Motor Assembly	
Part Number:		VBPIIe/B	
Date:		18-Jun-19	Sheet no.
Drawing Number:		VBPIIe/B	2 / 2
Drawing Issue:		I	DESCRIPTION OF CHANGE
Modified By:		J WYLES	ECN #
		-	-

ELECTRICAL DIAGRAM

