

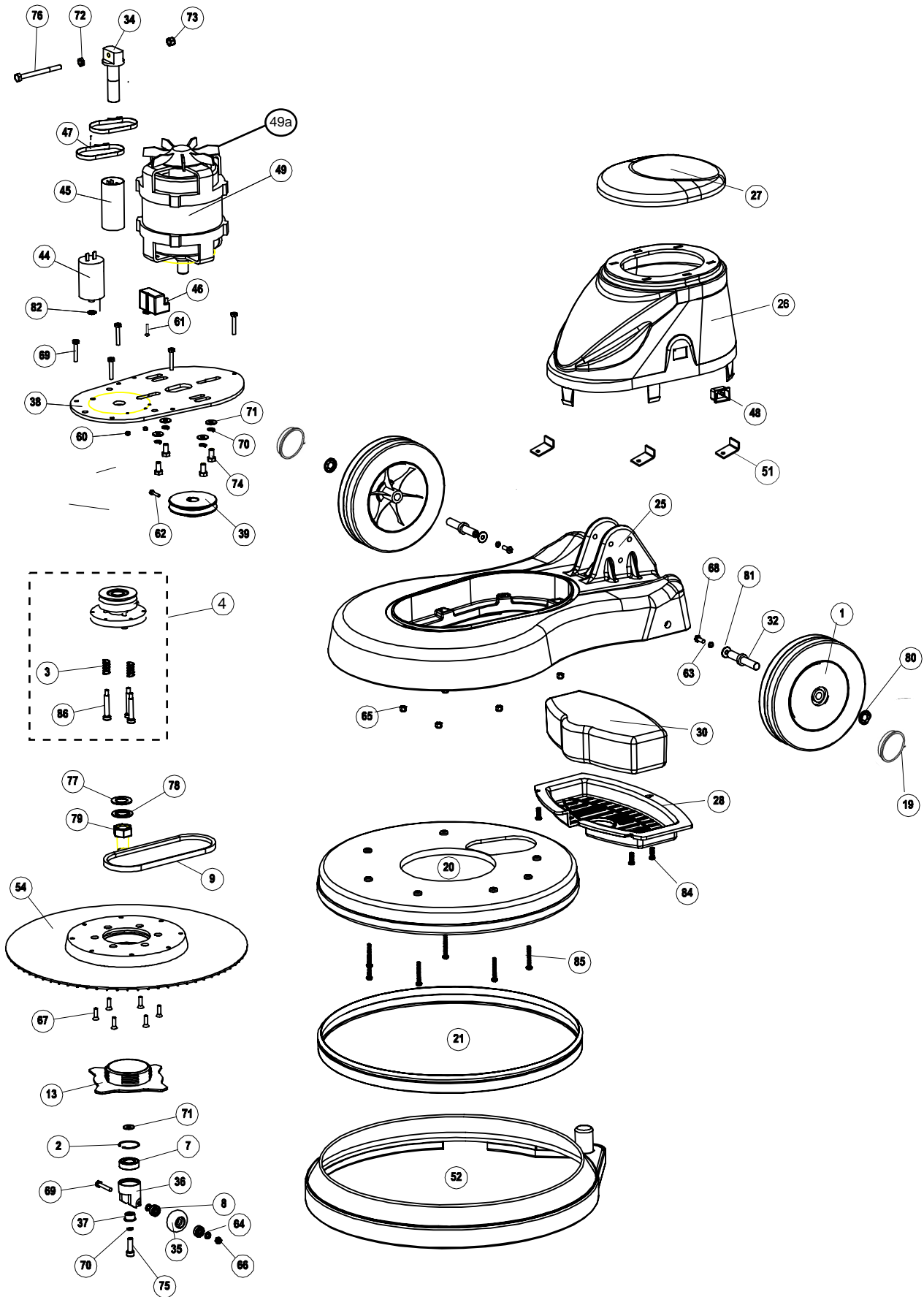
# Tacony CFC

## Orbis 17 Inch 1500rpm Folding Handle Base Assy Parts List

<b>Part Number:</b>	<b>OBF431500</b>	
Series:	H	
Date:	23.09.21	
Reference Drawing Number:	09-1053-0000 (Base), 09-1114-0000 (Base kits),09-1002-0000 (Handle)	
Reference Drawing Issue:	E (Base), D (Base kits), D (Handle)	
Modified By:	J Clarke	
Service Parts List Issue:	1	<b>ECN #</b>
Description of Change:	Handle Switch and Droplead Change	-

Ref. No.	Part No.	Part Description	Qty
		<b>Drawing Ref: 09-1053-0000 UHS Base Assembly</b>	
1	02-3121-0000	WHEEL 8IN	2
2	02-4011-0000	INTERNAL CIRCLIP	1
3	02-4541-0000	SPRING (PART OF 10-0020-0000)	2
4	10-0020-0000	ORBIS UHS FLOATING ADAPTOR ASSEMBLY 17" 1500 RPM	1
7	02-3847-0000	BEARING 6003-2RS	1
8	02-3848-0000	BEARING 626-2RS	2
9	02-3856-0000	UHS ORBIS DRIVE BELT	1
Not Shown	02-4551-0000	SNAP HOOK BLACK PLASTIC	1
13	02-3853-0000	PAD CENTRE LOCK (PART OF 05-4085-0000)	1
Not Shown	03-5869-0056	YELLOW LABEL BLANK 50MM X 100MM	1
19	02-3124-0000	WHEEL CAP	2
20	03-6102-0067	BRUSH GUARD 17" (JET BLACK)	1
21	03-6111-0000	VAC SKIRT PVC EXTRUSION	1
25	03-6681-0035	UHS ORBIS BASE MOULD (WATER BLUE)	1
26	03-6682-0067	UHS ORBIS MOTOR COVER (JET BLACK)	1
27	03-6683-0035	ORBIS UHS FAN COVER (WATER BLUE)	1
28	03-6685-0057	UHS ORBIS DUST COLLECTION BOX (ORANGE)	1
30	03-6703-0000	UHS ORBIS MATERIAL VAC BAG	1
Not Shown	03-8458-0000	UHS ORBIS 1500 DECAL (FAN COVER)	1
32	89-0025-0000	UHS ORBIS STUB AXLE	2
34	03-6719-0000	UHS ORBIS DRIVE SPINDLE	1
35	03-6720-0000	UHS ORBIS URETHANE WHEEL	1
36	03-6721-0000	UHS ORBIS CASTER CAGE	1
37	03-6722-0000	UHS ORBIS BEARING SLEEVE	1
38	03-6723-0000	UHS ORBIS MOTOR MOUNT PLATE	1
39	03-6725-0000	UHS ORBIS MOTOR PULLEY	1
Not Shown	03-7639-0000	ORBIS UHS PACKAGING CARTON	1
Not Shown	03-7821-0000	ORBIS UHS Multilingual Instructions	1
44	04-3501-0500	RUN CAPACITOR 30uF	1
45	04-3956-0000	START CAPACITOR 150 Uf	1
46	04-3974-0000	MOTOR RELAY	1
47	04-0279-0000	CABLE TIE	2
48	04-3235-0000	SNAP IN C14 APPLIANCE INLET	1
49	04-3411-0500	MOTOR 230V 50Hz 1100W 4 POLE	1
49a	04-4005-0000	Fan Only	1
Not Shown	04-3911-0000	UHS ORBIS BASE WIRE KIT	1
51	03-8189-0000	UHS MOTOR COVER RETENTION CLIP	
52	05-4761-0000	17" UHS VACUUM SKIRT ASSY	1
54	05-4085-0500	UHS PAD DRIVE ASSEMBLY 17"	1
55	10-0020-0000	ORBIS UHS FLOATING ADAPTOR ASSEMBLY 17" 1500 RPM	1
60	00-0400-0723	M4 NYLOC NUT ST/ST	2
61	00-0520-0111	M5 x 20 HEX HEAD BOLT	1
62	00-0416-0111	M4 x 16 SCREW	1
63	00-0600-0511	M6 SPRING WASHER	2
64	00-0600-0553	M6 PLAIN WASHER ST/ST	2
65	00-0600-0721	M6 NYLOC NUT	6
66	00-0600-0751	M6 HALF NYLOC NUT	1
67	00-0616-0031	M6 x 16 COUNTERSUNK POZI HD SCREW	6

68	00-0616-0111	M6 x 16 SCREW	2
69	00-0635-0111	M6 x 35 SCREW	6
70	00-0800-0513	M8 SPRING WASHER	5
71	00-0800-0553	M8 PLAIN WASHER ST/ST	5
72	00-0800-0711	M8 LOCKNUT	1
73	00-0800-0721	M8 FULL NYLOC NUT	1
74	00-0816-0111	M8 x 16 BOLT	4
75	00-0830-0091	M8 x 30 CAP HEAD SCREW	1
76	00-0890-0121	M8 x 90 BOLT	1
77	00-2000-0501	M20 PLAIN WASHER	1
78	00-2000-0521	M20 SHAKEPROOF WASHER	1
79	00-2000-0701	M20 NUT	1
80	02-0254-0000	STARLOCK WASHER	2
81	02-3127-0000	WASHER 1/4" x 3/4"	2
82	02-3250-0000	M8 SHAKEPROOF WASHER	1
83	02-3434-0000	12x1 POZI PAN HD SELF TAPPER	2
84	02-3467-0000	KB60 x 18 SELF TAPPER	3
85	02-3515-0000	KB60 x 40 SELF TAPPER	6
86	02-3523-0000	SHOULDER BOLT 40mm	3
Not Shown	03-8292-0000	FOLDING HANDLE SUPPORT	1
Not Shown	00-0875-0121	M8 X 70 HEX HEAD BOLT ZINC PLATED	3
Not Shown	02-0800-0000	PLAIN STEEL WASHER Z/PLATED 5/16IN X 1 1/4IN X 17 SWG	6
Not Shown	00-0800-0751	M8 X 1/2 NYLOCK NUT ZINC PLATED	3



**Tacony**

**Orbis 17Inch 1500rpm Base Assy**

Part Number:

**05-4687-0000**

Date: 19-Mar-19

Sheet no.

Drawing Number: 09-1054-0000

1 / 1

Drawing Issue: D

DESCRIPTION OF CHANGE

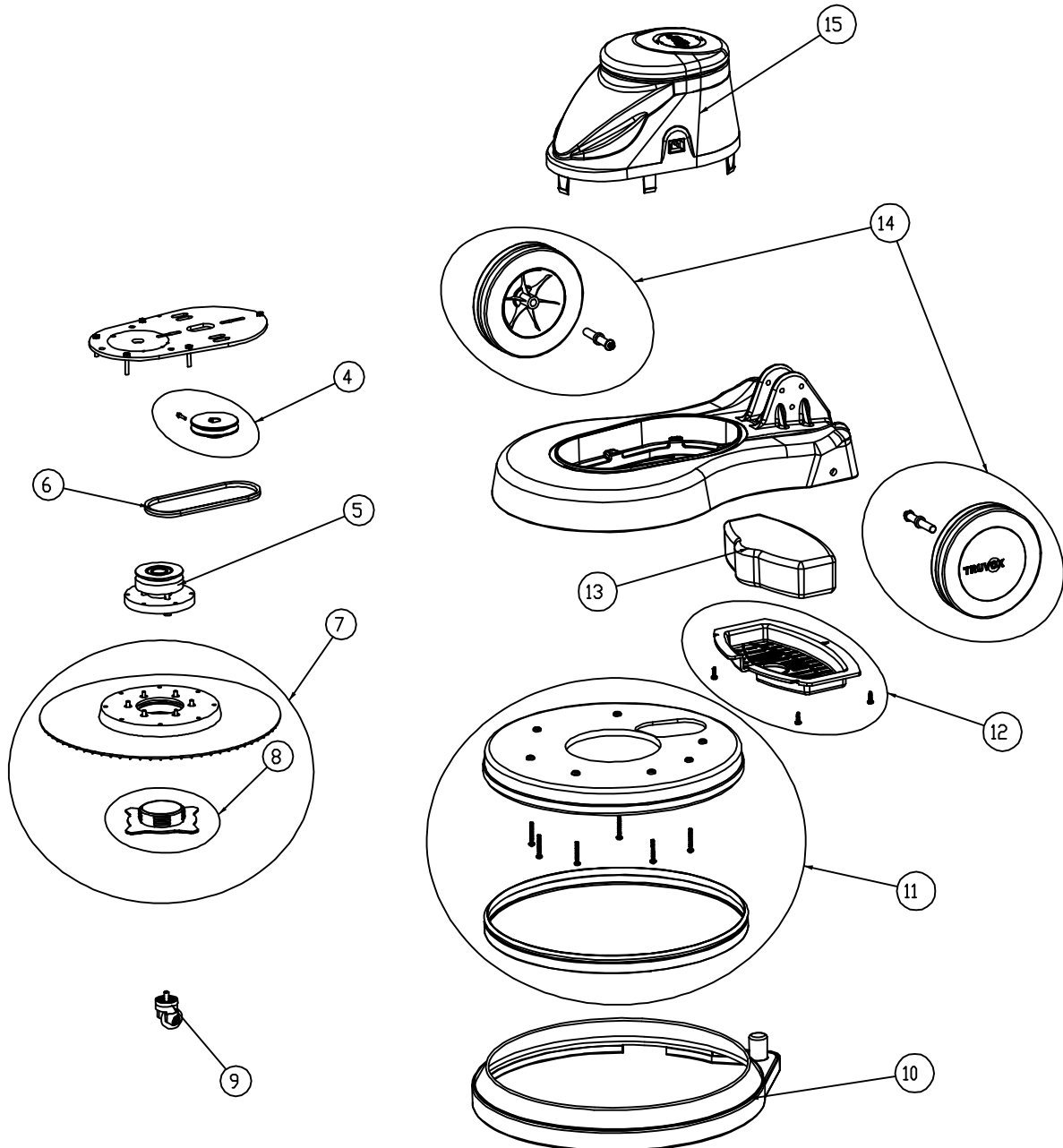
ECN #

Modified By: J WYLES

Retention Clips (Item 51)

1259

Ref. No.	Part No.	Part Description	Qty
4	10-0006-0000	MOTOR PULLEY KIT	1
5	10-0020-0000	ORBIS UHS FLOATING ADAPTOR ASSEMBLY 17" 1500 RPM	1
6	02-3856-0000	UHS ORBIS DRIVE BELT (V-BELT) REF: 10x475 Z 18	1
7	05-4085-0500	UHS PAD DRIVE ASSEMBLY 17"	1
8	02-3853-0000	PAD CENTERLOCK RING	1
9	10-0007-0000	CASTOR ASSEMBLY KIT	1
10	05-3766-0500	17" UHS VACUUM SKIRT ASSY	1
11	10-0008-0000	BRUSH GUARD 17" KIT	1
12	10-0009-0000	DUST COLLECTION BOX KIT	1
13	03-6703-0000	UHS ORBIS MATERIAL VAC BAG	1
14	10-0010-0000	UHS WHEEL ASSEMBLY KIT (PAIR)	1
15	10-0011-0000	MOTOR COVER ASSEMBLY KIT	1



**Tacony**

**Orbis 17Inch 1500rpm Base Assy KITS**

Part Number:

n/a

Date: 19-Mar-19

Sheet no.

Drawing Number: 09-1114-0000

1 / 1

Drawing Issue: D

DESCRIPTION OF CHANGE

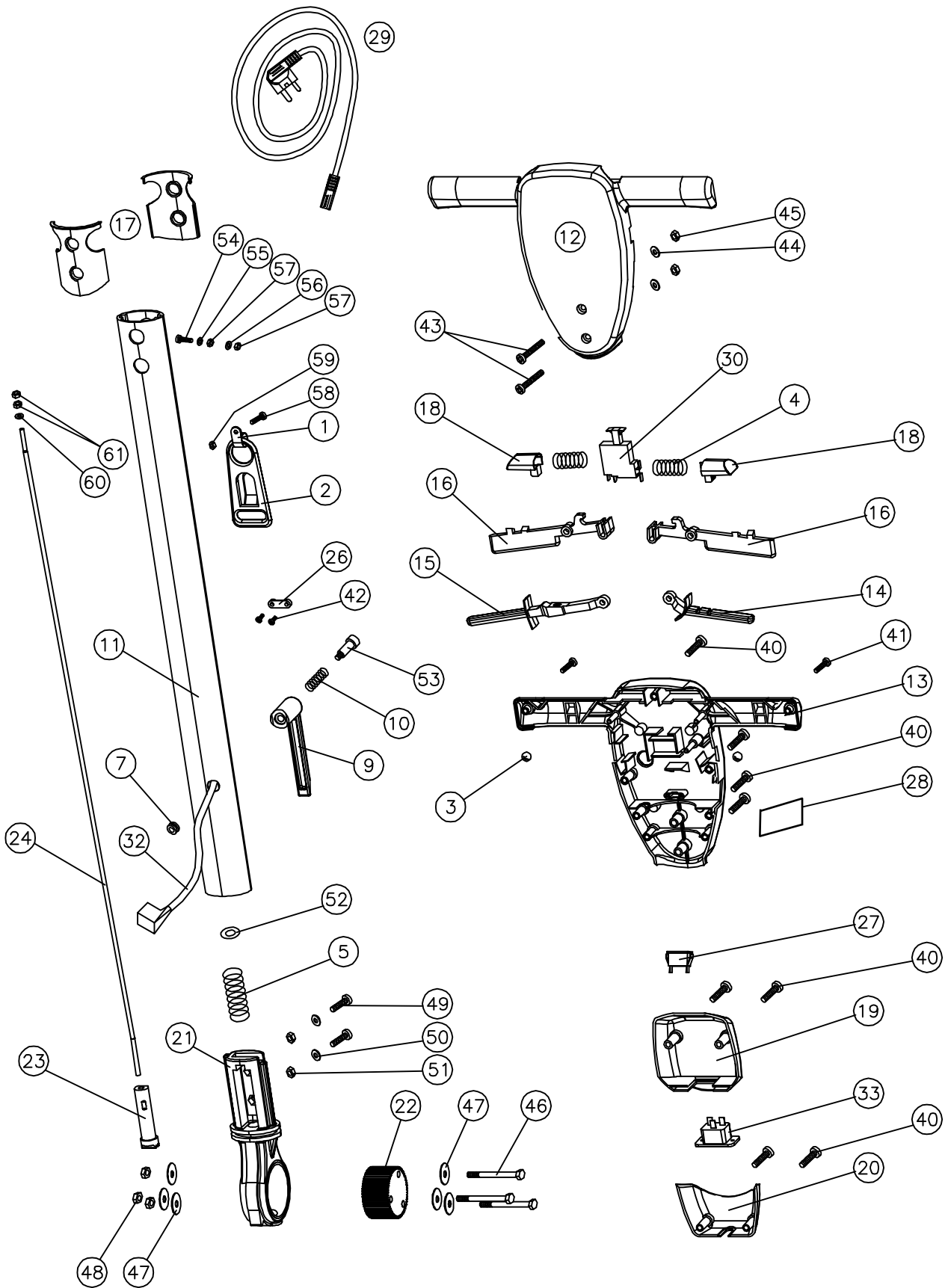
ECN #

Modified By: J WYLES

-

-

Ref. No.	Part No.	Part Description	Qty
		<b>Drawing Ref: 09-1002-0000 UHS Handle Assy</b>	
1	02-3151-0000	P Clip	1
2	02-3152-0000	Cable Strain Relief Bracket	1
3	02-3186-0000	Ball bearing	2
4	02-3510-0000	Handle Interlock Spring	2
5	02-3511-0000	Gear dog Spring	1
7	02-3520-0000	Diaphragm Grommet	1
9	03-5403-0000	Cable winder	1
10	03-5410-0000	Cable Winder Spring	1
11	03-8059-0000	Tube - handle aluminium ext.	1
12	03-6086-0067	Handle main - front Jet Black RAL 9005	1
13	03-6087-0067	Handle main - rear Jet Black RAL 9005	1
14	03-6088-0067	Solution Lever Jet Black RAL 9005	1
15	03-6089-0067	Gear lever Jet Black RAL 9005	1
16	03-6090-0067	Trigger left and right Jet Black RAL 9005	2
17	03-6091-0000	Handle Rubber boot	2
18	03-6092-0067	Interlock Jet Black RAL 9005	2
19	03-6093-0067	Cord inlet box Jet Black RAL 9005	1
20	03-6094-0067	Cord retainer Jet Black RAL 9005	1
21	03-7831-0000	Knuckle Moulding	1
22	03-6096-0000	Gear	1
23	03-6097-0000	Dog	1
24	03-8060-0000	Adjusting Gear Rod	1
26	04-0237-0000	Cable clamp	1
27	04-3254-0000	Neon Indicator Green	1
28	03-6693-0067	Handle Socket Blanking Plate	1
29a	04-3055-0053	Power Cord UK 15m (UK version only)	1
29b	04-3055-0153	Power Cord EURO 15m (EURO version only)	1
30	04-4024-0000	Switch	1
Not Shown	04-3937-0000	Handle Wiring Kit Without Power Take Off	1
32	04-4026-0000	UHS Extended Drop lead	1
33	04-3242-0000	16Amp Inlet Socket	1
Not Shown	10-0123-0000	Orbis Handle Power Take Off Kit	1
Not Shown	04-3239-0000	Handle Wiring Kit With Power Take Off	1
40	02-3516-0000	Self Tapper (Main Handle / Cord Inlet Box)	11
41	02-3517-0000	Self Tapper (Handle Ends)	2
42	02-3518-0000	Self Tapper (Cable Clamps)	2
43	00-0650-0011	Handle Tube Fix M6 x 55 Pozi Pan Head Screw	2
44	00-0600-0521	Handle Tube Fix M6 Shakeproof	2
45	00-0600-0701	Handle Tube Fix M6 Full Nut	2
46	00-0875-0121	Handle Attachment Bolt M8 x 75 Hex Head Bolt	3
47	02-0223-0000	Handle Attachment Washer Zinc Washer 5/16" x 1 1/4"	6
48	00-0800-0751	Handle Attachment Nut M8 Type "T" 1/2 Nyloc Nut	3
49	00-0816-0111	Knuckle Bolt M8 x 16 Hex Head	2
50	00-0800-0501	Knuckle Washer M8 "A" Form Washer	2
51	00-0800-0731	Knuckle Nut M8 Binx Nut	2
53	02-3523-0000	New Cable Winder Bolt Socket Shoulder Bolt M6 x 8 x 40	1
54	00-0520-0111	Earth Mount on Handle M5 x 20 Hex Head	1
55	00-0500-0531	Earth Mount on Handle Serrated Washer M5 External	1
56	00-0500-0511	Earth Mount on Handle Spring Washer M5 Single Coil	1
57	00-0500-0701	Earth Mount on Handle Fixing Nuts M5 Full Nut	2
58	00-0520-0111	Cable Restraint Bolt M5 x 20 Hex Head Screw	1
59	00-0500-0701	Cable Restraint Nut M5 Full Nut	1
60	00-0500-0501	Gear Rod Washer M5 Washer	1
61	00-0500-0701	Gear Rod Nuts M5 Full Nut	2
		<b>ACCESSORIES</b>	
Not Shown	03-6703-0000	Dust control cloth bag	1
Not Shown	03-6685-0057	Dust control collection box	1
Not Shown	05-3771-0000	Vacuum unit, bracket & hose	1
Not Shown	10-0123-0000	Power take off kit (required for vacuum)	1
Not Shown	02-3526-0000	Vacuum bags (pack of 10)	1
Not Shown	05-3766-0500	Vacuum skirt 43cm	1
Not Shown	05-4156-0000	Spray system kit	1
Not Shown	03-6111-0000	Furniture guard	1



**Tacony**

**Orbis 17Inch 1500rpm Handle Assy**

Part Number:

**05-4686-0000**

Date: 19-Mar-19

Sheet no.

Drawing Number: 09-1002-0000 (Handle Assembly)

1 / 1

Drawing Issue: C

DESCRIPTION OF CHANGE

ECN #

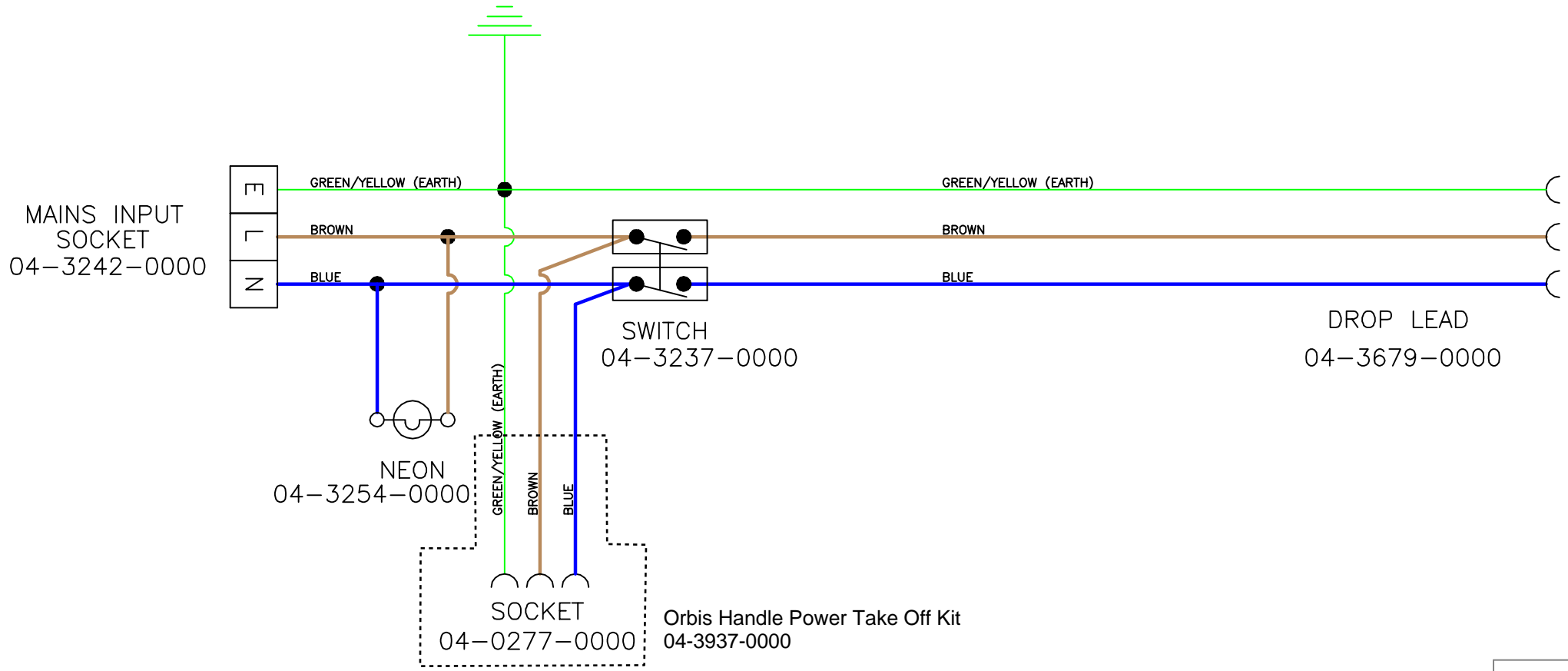
Modified By: J WYLES

-

-

Drawing/Part Number  
09-1116-0000

Issue	Amendments	Sig./Date
A	NEW DRAWING	05.10.09 M.D.C.
B	OPTIONAL POWER TAKE OFF KIT	03.09.13 N.P.D

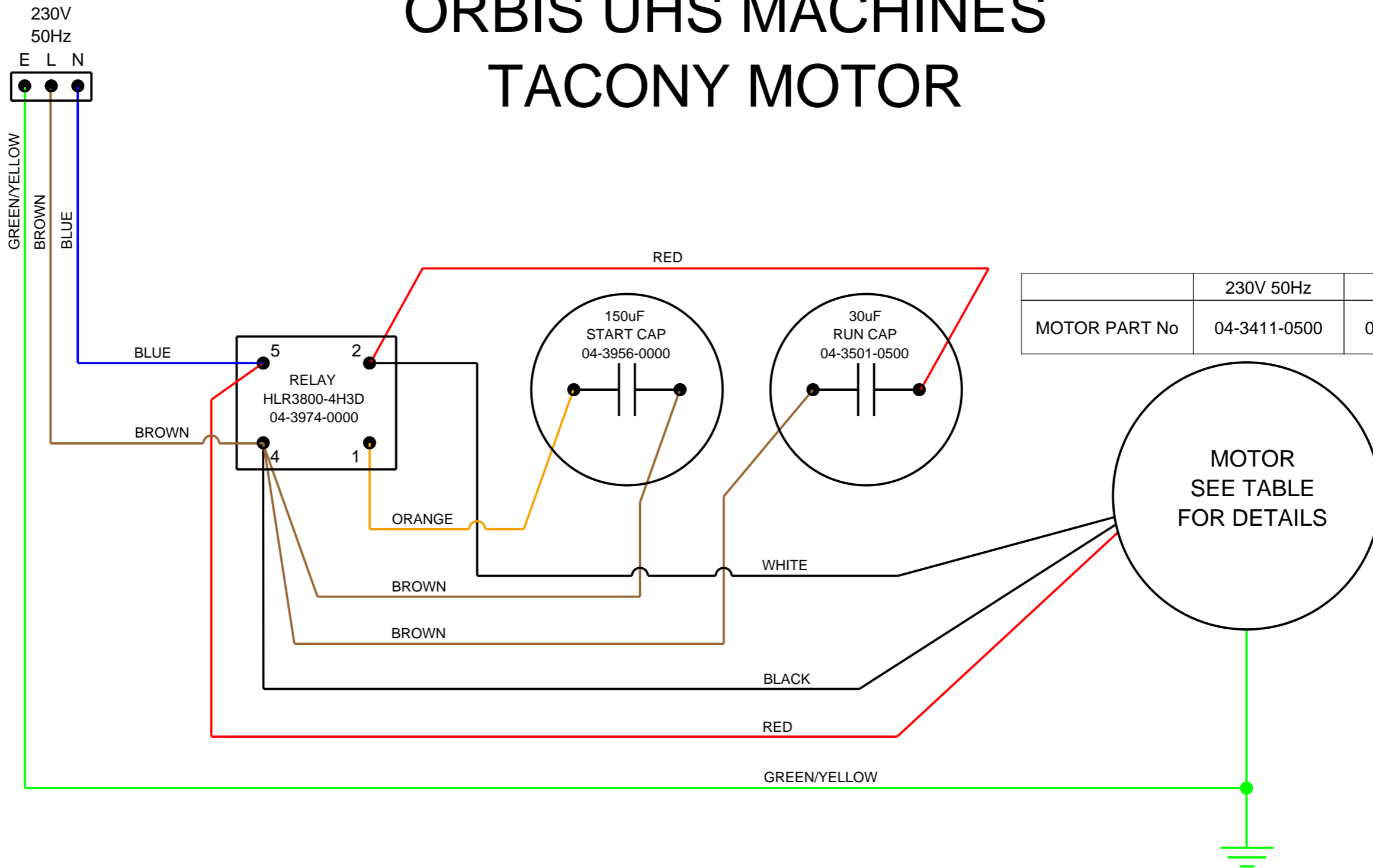


RED  
ON  
MASTER

<p>3RD ANGLE PROJECTION DIMENSIONS IN MILLIMETRES DO NOT SCALE DRAWING ©COPYRIGHT</p>	Material	General Tolerance		<p style="text-align: center;"><b>TRUVOX™ INTERNATIONAL LIMITED</b></p>	
	Finish	Scale N.T.S.			
	Drawn M.D.C.	Checked M.D.C.	Date 05.10.09		

# WIRING SCHEMATIC ORBIS UHS MACHINES TACONY MOTOR

SNAP IN  
APPLIANCE INLET  
04-3235-0000



	230V 50Hz	230V 60Hz
MOTOR PART No	04-3411-0500	04-3960-0500

MOTOR  
SEE TABLE  
FOR DETAILS

3	1206	TABLE ADDED TO INCLUDE 60Hz MOTOR	NMN	10 AUG 17
2	1205	WIRE COLOURS CHANGED	NMN	03 AUG 17
1	N/A	PRODUCTION RELEASE	NMN	26 JUL 17
A	N/A	NEW DRAWING	NMN	10 JUN 12
ISSUE	ECN	CHANGES	INT	DATE

MATERIAL:	GEN TOL X ± 0.5 X.X ± 0.2 X.XX ± 0.1 ANG ± 0.5 °
FINISH:	SCALE: X : X
	DRN CKD NMN

TM <b>TRUVOX INTERNATIONAL LIMITED</b>	
TITLE: UHS BASE WIRING - TACONY MOTOR - 230V 50Hz & 60Hz	PART NO. 09-1131-0000