

Tacony CFC

Orbis Orbital 1500 Base assembly

Part Number:

OB451500-1000

Date: 05-Jan-22

Sheet no.

Drawing Number: 09-1002-0000

1 / 1

Drawing Issue: B

DESCRIPTION OF CHANGE

ECN #

Modified By: J Clarke

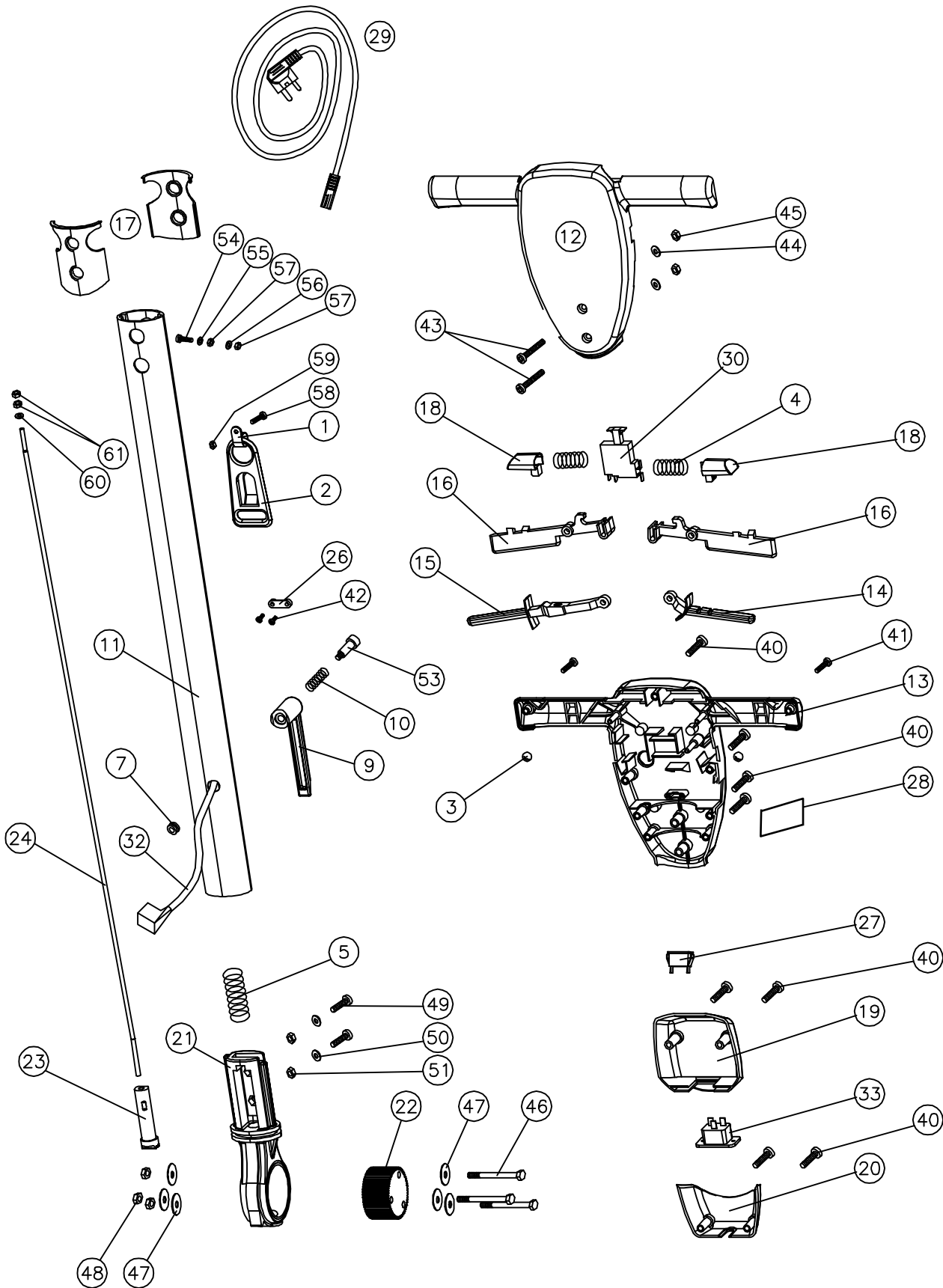
-

-

Tacony CFC		Orbis Orbital I 500 Parts List	
Part Number:	OB45I500		
Series:	C		
Date:	05-Jan-22		
Reference Drawing Number:	Orbital I500 Base Assembly (Base), 09-I002-0000 (Handle)		
Reference Drawing Issue:	A		
Modified By:	J Clarke		
Service Parts List Issue:	I	ECN #	
Description of Change:	droplead and manufacture improvements		-

Ref. No.	Part No.	Part Description	Qty
		DRAWING REF: Orbital I500 BASE ASSEMBLY	
1	203000084	Wheel Chassis	1
2	919000012	Self-Locking Nut	2
3	929000026	Washer	4
4	201000057	Wheel	2
5	909000088	Limited Screw	2
6	909000086	Limited Screw	2
7	202000006	Tension Cushion	2
8	929000006	Washer	2
9	919000012	Self-Locking Nut	2
10	201000055	Hole Insert	1
11	201000056	Capacitor Cover	1
12	201000101	Cable Restrainer	1
13	204000016	Start Capacitor	1
14	204000015	Running Capacitor	1
15	909000107	Screw with Washer	4
16	201000054	Hose Connector	1
17	201000053	Cable Protection Hose	1
18	203000050	Motor Cover	1
19	909000107	Screw with Washer	4
20	919000014	Nut (Cooling Fan)	1
21	201000023	Cooling Fan	1
22	204000030	Motor	1
23	203000081	Hose Clip	1
24	909000051	Screw	4
25	909000054	Screw	1
26	203000087	Bottom Support Bracket	2
27	203000042	VP-Absorber	4
28	203000073	Pivot Bracket	2
29	919000012	Self-Locking Nut	4
30	203000124	Base Casting	1
31	909000011	Screw	8
32	202000005	Rubber Buffer	1
33	206000067	Orbital Component	1
34	956000016	Ob Pad Holder	1
35	203000058	Aluminum Disc	1
36	919000010	Self-Locking Nut	5
37	929000015	Spring Pad	8
38	929000025	Washer	4
39	203000080	Water Nozzle	1
40	909000050	Screw	4
41	203000059	Metal Handle	1
42	956000015	OB-Scrubbing Brush	1
43	203000074	OB-Extra Weight 12.5kg	1
44	909000091	Wrench Free Screw	3
45	909000110	Screw	1
46	203000099	C Bucket (Stainless Steel)	1
47	203000100	C Bucket (Stainless Steel)	1

48	203000057	Bearing	4
49	202000011	Plug Protection (Small)	1
50	949000022	Pin Plug Power Cable (male head)	1
51	204000041	Wiring Cap	1
52	207000015	Hook & Loop	1
53	909000108	Screw with Washer	2
54	202000010	Plug Protection (Big)	1
55	909000115	Screw	3



Tacony CFC

Orbis Orbital 1500 Handle Assembly

Part Number:

05-4766-0000

Date: 05-Sep-19

Sheet no.

Drawing Number: 09-1002-0000

1 / 1

Drawing Issue: A

DESCRIPTION OF CHANGE

ECN #

Modified By: J Wyles

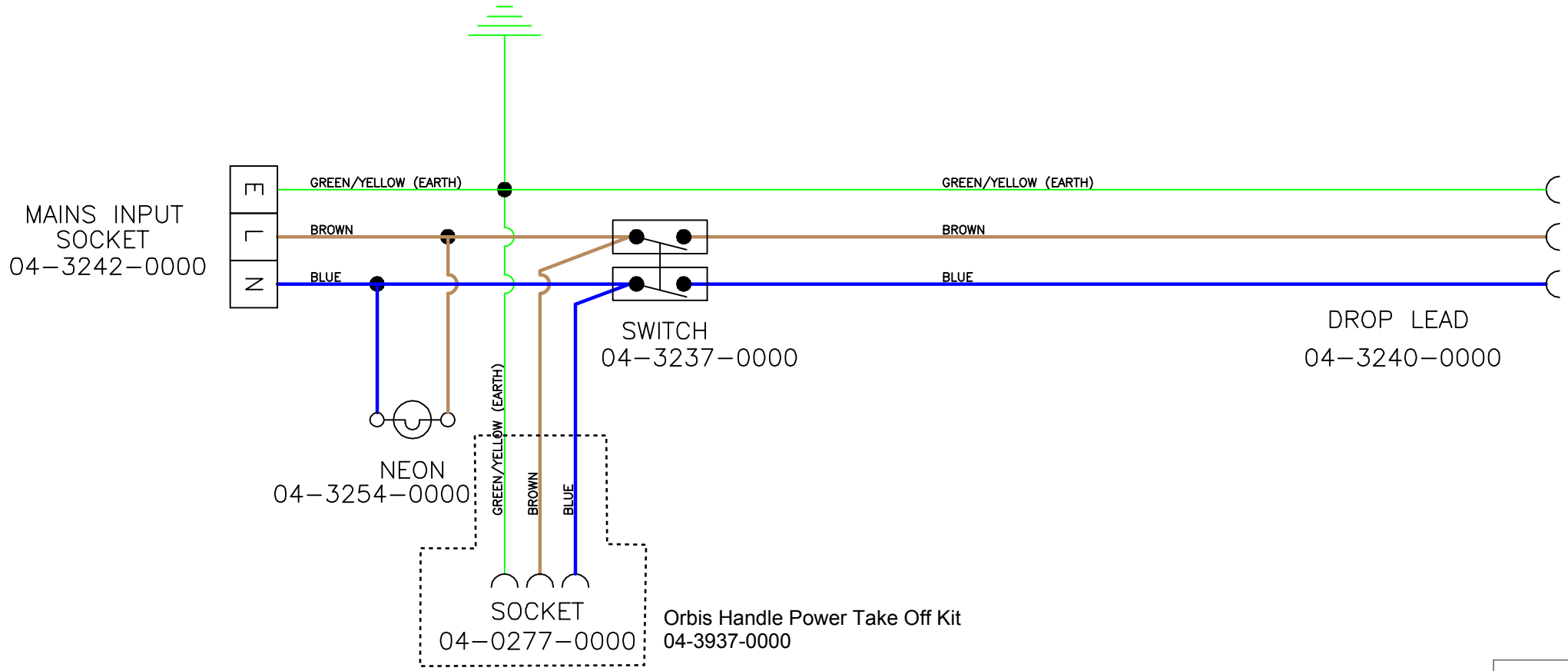
-

-

Ref. No.	Part No.	Part Description	Qty
		DRAWING REF: 09-1002-0000 - HANDLE ASSEMBLY	
.	02-3151-0000	P Clip	1
2	02-3152-0000	Cable Strain Relief Bracket	1
3	02-3186-0000	Ball bearing	2
4	02-3510-0000	Handle Interlock Spring	2
5	02-3511-0000	Gear dog Spring	1
7	02-3520-0000	Diaphragm Grommet	1
9	03-5403-0000	Cable winder	1
10	03-5410-0000	Cable Winder Spring	1
11	03-8332-0000	Tube - handle aluminium ext.	1
12	03-6086-0067	Handle main - front Jet Black	1
13	03-6087-0067	Handle main - rear Jet Black	1
14	03-6088-0067	Solution Lever Jet Black	1
15	03-6089-0067	Gear lever Jet Black	1
16	03-6090-0067	Trigger left and right Jet Black	2
17	03-6091-0000	Handle Rubber boot	2
18	03-6092-0067	Interlock Jet Black	2
19	03-6093-0067	Cord inlet box Jet Black	1
20	03-6094-0067	Cord retainer Jet Black	1
21	03-7831-0000	Aluminium Knuckle	1
22	03-6096-0000	Gear	1
23	03-6097-0000	Dog	1
24	03-8389-0000	Adjusting Gear Rod	1
26	04-0237-0000	Cable clamp	1
27	04-3254-0000	Neon Indicator Green	1
28	03-6693-0067	Handle Socket Blanking Plate	1
29a	04-3055-0053	Supply Cord Set	1
29b	04-3055-0153	Europlug Supply Cord Set	1
30	04-4024-0000	Switch	1
Not Shown	04-3937-0000	Handle Wiring Kit Without Power Take Off	1
32	04-4043-0000	Drop Lead with C2 Connector for OB451500	1
33	04-3242-0000	16Amp Inlet Socket	1
Not Shown	10-0123-0000	Orbis Handle Power Take Off Kit (optional Accessory)	1
	Fasteners		
40	02-3516-0000	Self Tapper (Main Handle / Cord Inlet Box)	11
41	02-3517-0000	Self Tapper (Handle Ends)	2
42	02-3518-0000	Self Tapper (Cable Clamps)	2
43	00-0650-0011	Handle Tube Fix M6 x 55 Pozi Pan Head Screw	2
45	00-0600-0701	Handle Tube Fix M6 Full Nut	2
46	00-0860-0121	Handle Attachment Bolt M8 x 60 Hex Head Bolt	3
47	02-0223-0000	Handle Attachment Washer Zinc Washer 5/16" x 1 1/4"	6
48	00-0800-0751	Handle Attachment Nut M8 Type "T" 1/2 Nyloc Nut	3
49	00-0816-0111	Knuckle Bolt M8 x 16 Hex Head	2
50	00-0800-0501	Knuckle Washer M8 "A" Form Washer	2
51	00-0800-0731	Knuckle Nut M8 Binx Nut	2
53	02-3523-0000	New Cable Winder Bolt Socket Shoulder Bolt M6 x 8 x 40	1
54	00-0520-0111	Earth Mount on Handle M5 x 20 Hex Head	1
55	00-0500-0531	Earth Mount on Handle Serrated Washer M5 External	1
56	00-0500-0511	Earth Mount on Handle Spring Washer M5 Single Coil	1
57	00-0500-0701	Earth Mount on Handle Fixing Nuts M5 Full Nut	2
58	00-0520-0111	Cable Restraint Bolt M5 x 20 Hex Head Screw	1
59	00-0500-0701	Cable Restraint Nut M5 Full Nut	1
60	00-0500-0501	Gear Rod Washer M5 Washer	1
61	00-0500-0701	Gear Rod Nuts M5 Full Nut	2

Drawing/Part Number
09-1127-0000

Issue	Amendments	Sig./Date
A	NEW DRAWING	15.12.10 M.D.C.
B	OPTIONAL POWER TAKE OFF KIT	03.09.13 N.P.D



RED
ON
MASTER

	<p>3RD ANGLE PROJECTION DIMENSIONS IN MILLIMETRES DO NOT SCALE DRAWING ©COPYRIGHT</p>	Material		General Tolerance		<p style="text-align: center;">TRUVOX™ INTERNATIONAL LIMITED</p>	
		Finish		Scale			
		Drawn	M.D.C.	Checked	M.D.C.	Date	15.12.10

PART NO.
09-1166-0000

© COPYRIGHT

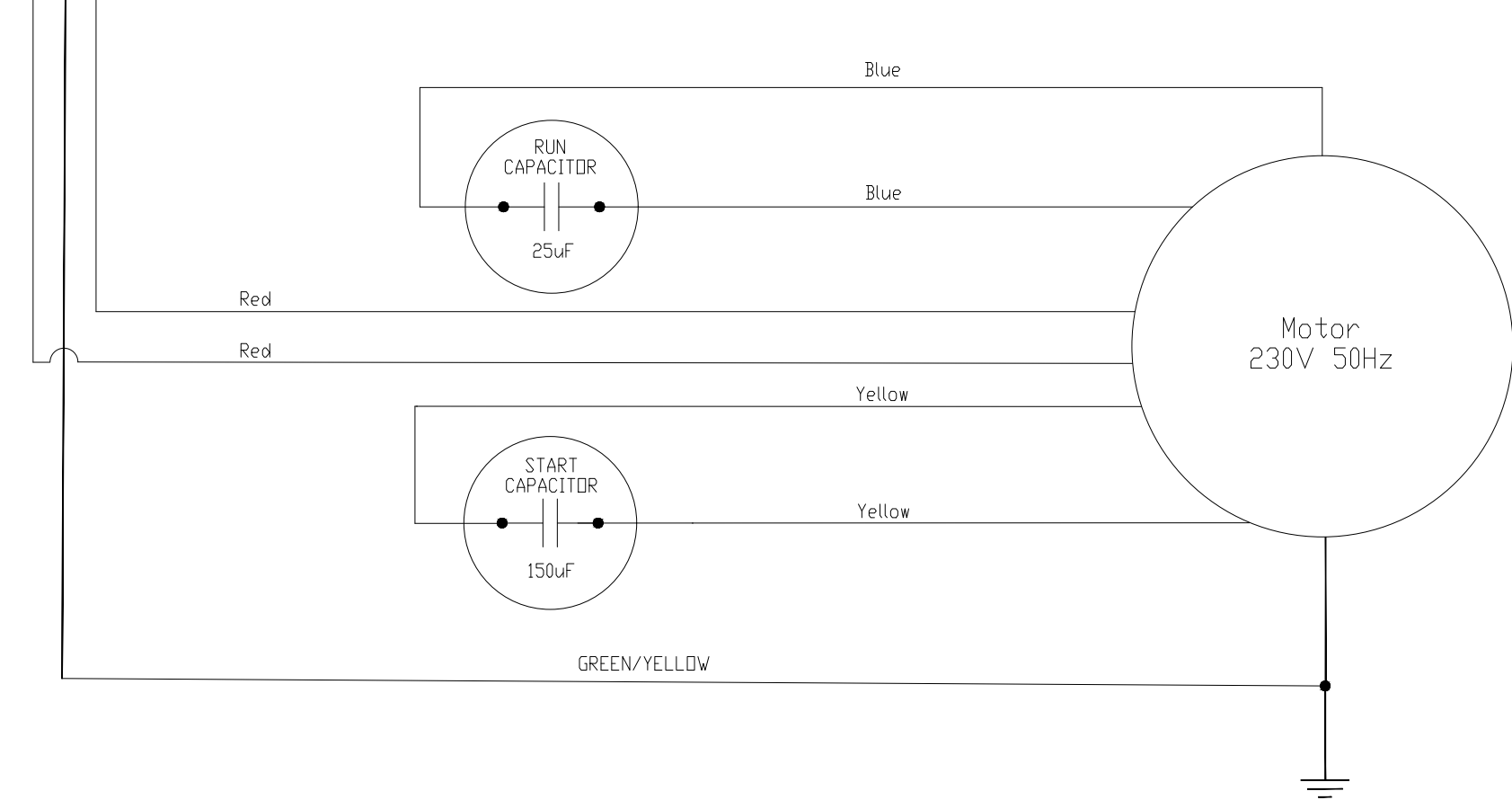
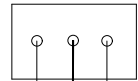
DIMENSIONS IN MILLIMETRES

DO NOT SCALE DRAWING

3RD ANGLE PROJECTION

A4

L E N



					MATERIAL:	GEN TOL X ±0.5 X.X ±0.2 X.XX ±0.1 ANG ±0.5°	TRUVOX INTERNATIONAL LIMITED	
					FINISH:	SCALE: X : X DRN CKD	TITLE:	PART NO.
1	N/A	NEW DRAWING	JW	13-Sep-19		JW	ORBIS ORBITAL 1500 BASE WIRING DIAGRAM	09-1166-0000
ISSUE	ECN	CHANGES	INT	DATE				