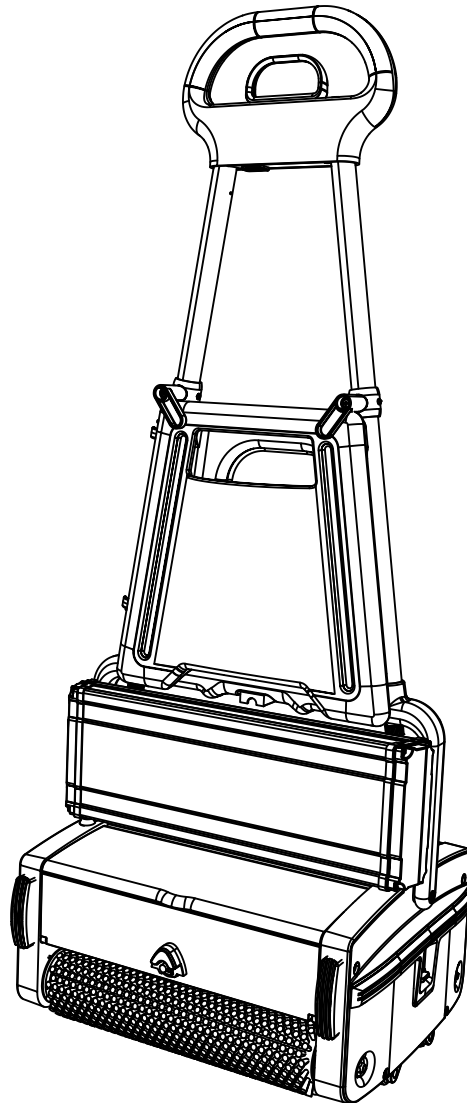


Multiwash II

340/Pump Battery

TRUVOXTM
INTERNATIONAL
A TACONY COMPANY

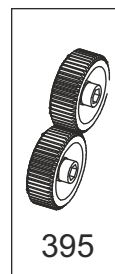
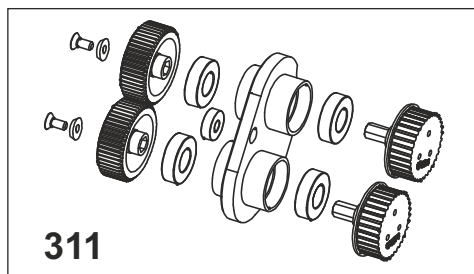
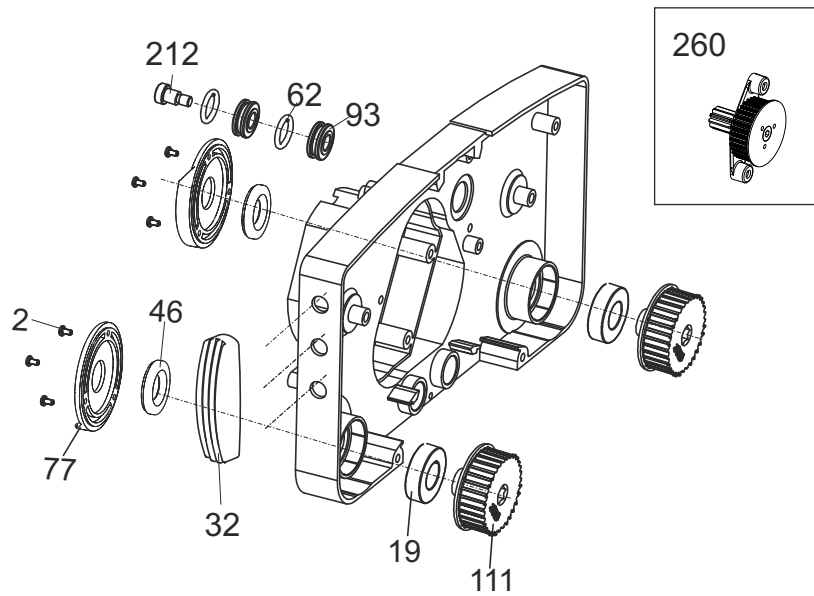
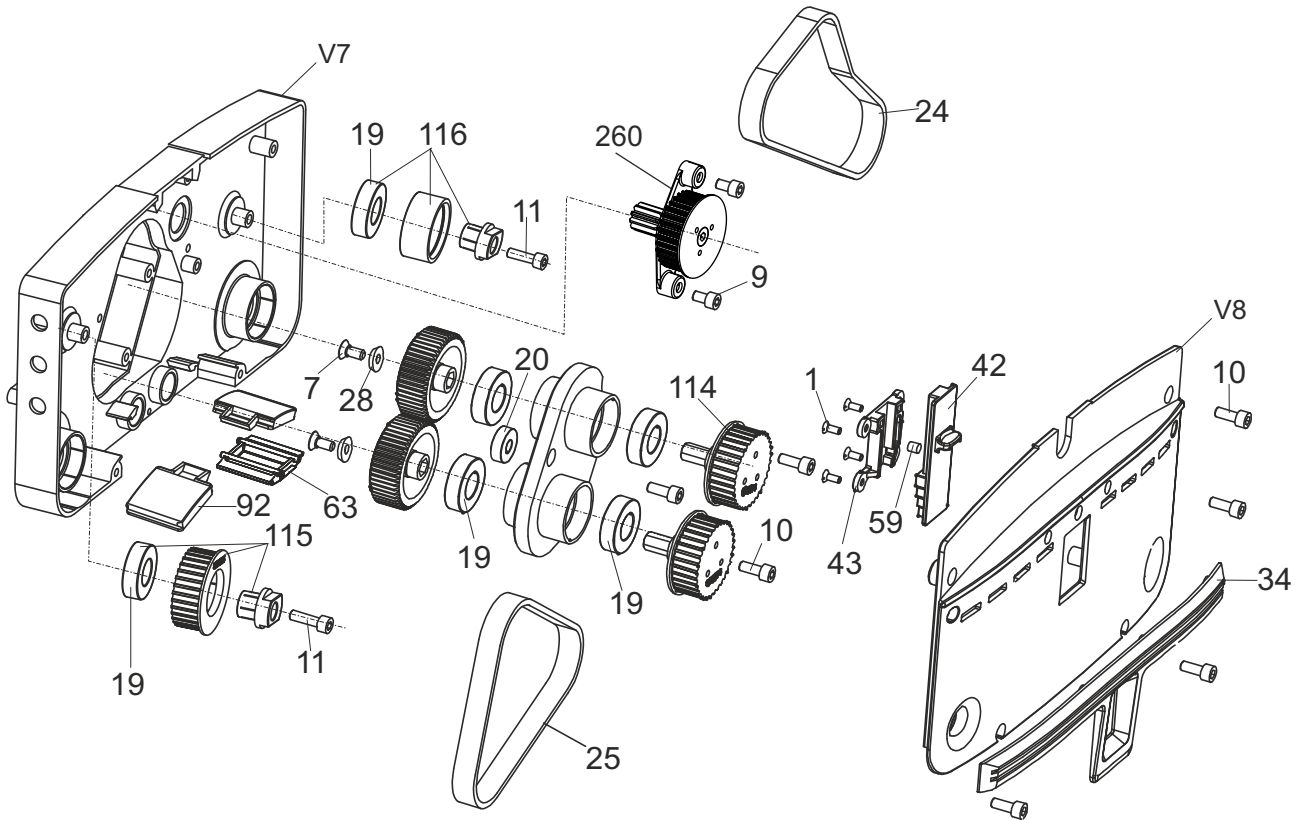


P/N : 557250261-00
Updated : 07-11-2019
Series : 'D'

Spare Parts List

03-8320-0000
Issue : 03

HOUSING - DRIVE SIDE - MW 340P-B

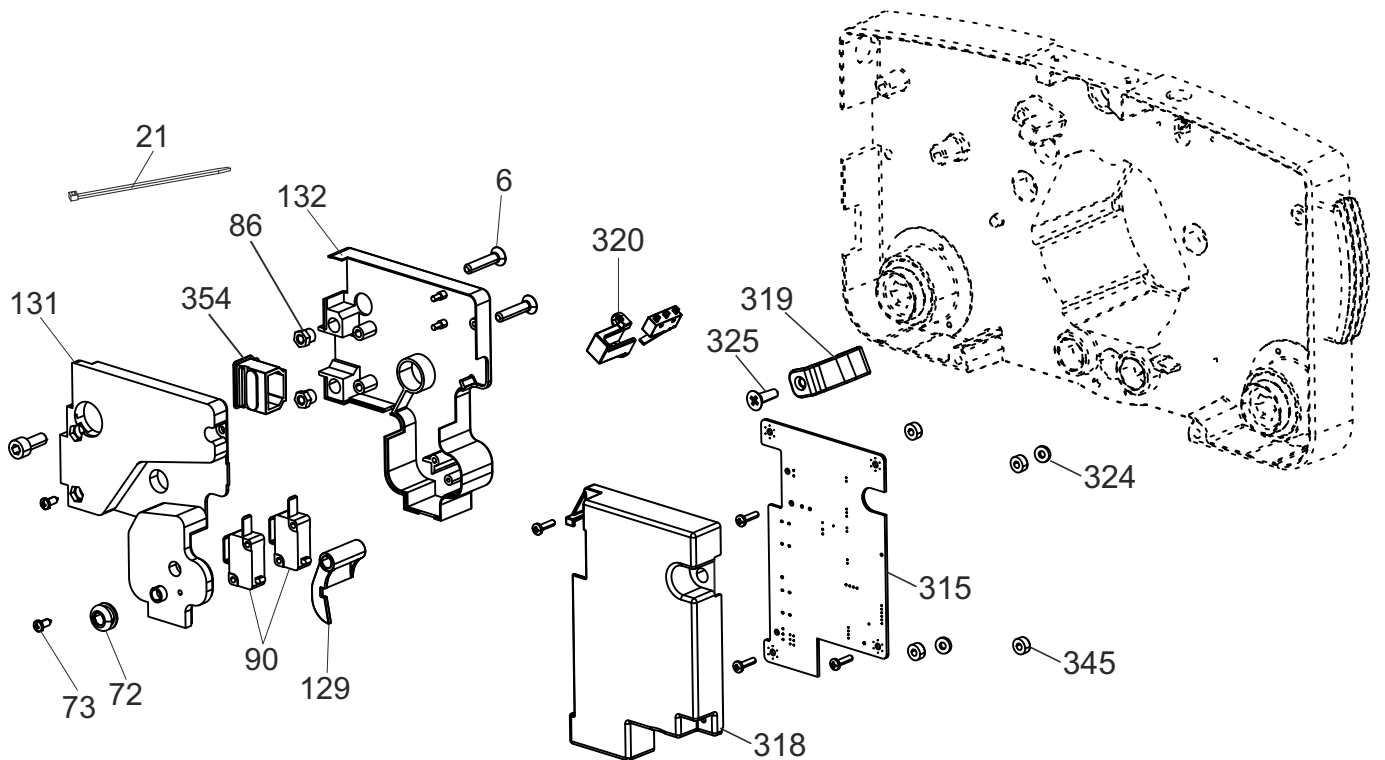
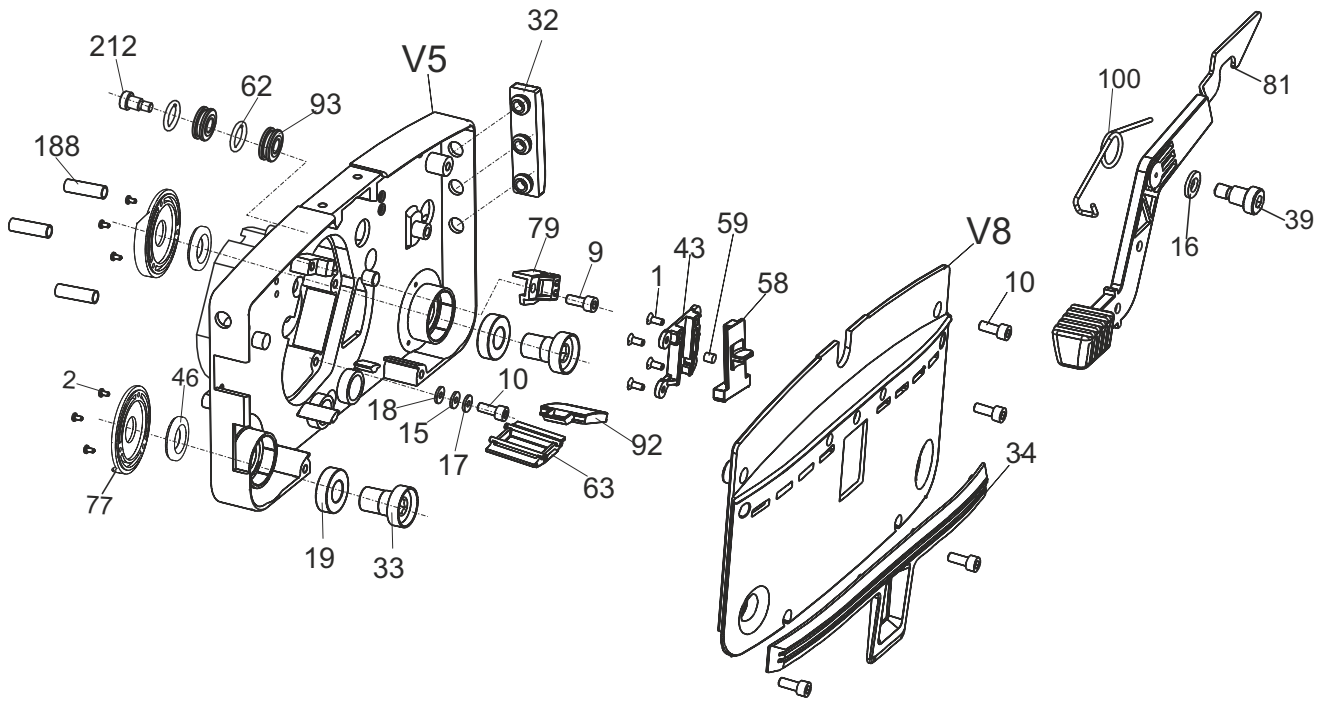


NOTE: Item no 9 is not included in assy 260.

HOUSING - DRIVE SIDE - MW 340P-B

SL.NO	PART NO	DESCRIPTION	SIZE	QTY
1	90-0258-0000	CSK SCREW	M4x10	4
2	90-0001-0000	CRPH SCREW	M3x6	6
7	90-0143-0000	CSK SCREW	M6x14	2
9	90-0293-0000	ALLEN SCREW	M6x10	2
10	90-0144-0000	ALLEN SCREW	M6x16	7
11	90-0005-0000	ALLEN SCREW	M6x20	2
19	02-3847-0000	BEARING	6003 2RS	8
20	90-0121-0000	BEARING	608 2Z	1
24	90-0011-0000	BELT	500 5 M	1
25	90-0012-0000	BELT	425 5 M	1
28	90-0152-0000	WASHER		2
32	90-0154-0500	BUMPER - FRONT - BLACK		1
34	90-0156-0000	BUMPER - COVER		1
42	90-0024-0500	BRUSH SLIDER - TEAL		1
43	90-0025-0000	SLIDER HOUSING		1
46	90-0027-0000	SEAL		2
59	90-0035-0000	PIN		1
62	90-0176-0000	O' RING		2
63	90-0040-0000	SHIELD		1
77	90-0020-0000	CAP		2
92	90-0267-0000	SHIELD		2
93	90-0294-0000	ROLLER		2
111	90-0061-0000	BRUSH SPROCKET		2
114	90-0063-0000	GEAR SPROCKET		2
115	90-0065-0000	IDLER ASSY		1
116	90-0197-0000	IDLER ASSY		1
212	90-0392-0000	STUB AXLE		1
260	90-0499-0000	DRUM PINION ASSY		1
311	90-0651-0000	HOUSING ASSY - GEAR SUPPORT		1
395	90-0650-0000	GEAR - LH & RH NEW - KIT		1
V7	90-0583-0500	HOUSING ASSY TVX - BLACK		1
V8	90-0126-0500	COVER HOUSING ASSY - TVX - BLACK		1

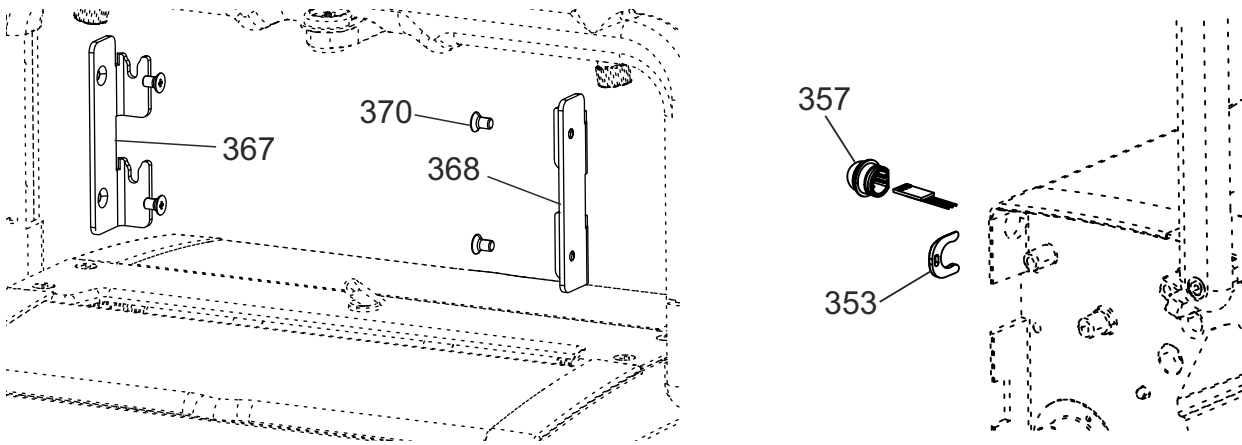
HOUSING - IDLE SIDE - MW 340P-B



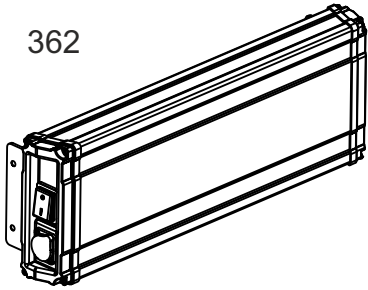
HOUSING - IDLE SIDE - MW 340P-B

SL.NO	PART NO	DESCRIPTION	SIZE	QTY
1	90-0258-0000	CSK SCREW	M4x10	4
2	90-0001-0000	CRPH SCREW	M3x6	6
6	90-0261-0000	CSK SCREW	M5x25	2
9	90-0293-0000	ALLEN SCREW	M6x10	1
10	90-0144-0000	ALLEN SCREW	M6x16	5
15	90-0147-0000	WASHER	6.4x12x1.6	1
16	90-0395-0000	WASHER	9x17x1.6	1
17	90-0298-0000	SPRING WASHER	M6	1
18	90-0148-0000	TOOTHED WASHER	M6	1
19	02-3847-0000	BEARING	6003 2RS	2
21	90-0149-0000	WIRE TIE		3
32	90-0154-0500	BUMPER - FRONT - BLACK		1
33	90-0155-0000	BUSH		2
34	90-0156-0000	BUMPER - COVER		1
39	90-0123-0000	STUB AXLE		1
43	90-0025-0000	SLIDER HOUSING		1
46	90-0027-0000	SEAL		2
58	90-0033-0500	TRANSPORT SLIDER - TEAL		1
59	90-0035-0000	PIN		1
62	90-0176-0000	O' RING		2
63	90-0040-0000	SHIELD		1
72	90-0045-0000	GROMMET		2
73	90-0183-0000	SELF TAPPING SCREW		2
77	90-0020-0000	CAP		2
79	90-0188-0000	STOPPER		1
81	90-0259-0500	PEDAL - TEAL		1
86	90-0297-0000	NUT		2
90	90-0283-0000	SWITCH		2
92	90-0267-0000	SHIELD		1
93	90-0294-0000	ROLLER		2
100	90-0260-0000	SPRING-PEDAL		1
129	90-0265-0000	LEVER SWITCH ACT		1
131	90-0527-0000	INSULATION TOP		1
132	90-0528-0000	INSULATION BOTTOM		1
188	90-0397-0000	SLEEVE TIE ROD		3
212	90-0392-0000	STUB AXLE		1
315	90-0529-0000	R22 PCB ASSY		1
318	90-0531-0000	COVER PCB		1
319	90-0532-0000	CLAMP CABLE DC		1
320	90-0533-0000	HOUSING SWITCH DM		1
324	90-0537-0000	WASHER	3.5X8.0X1.0	2
V5	90-0557-0500	IDLE HOUSING ASSY COMPLETE DC - BLACK		1
V8	90-0126-0500	COVER HOUSING ASSY - TVX - BLACK		1

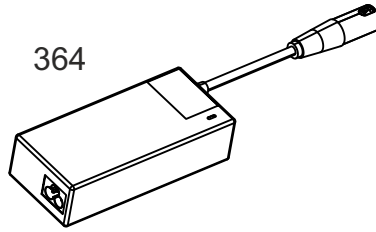
BATTERY - MW 340P-B



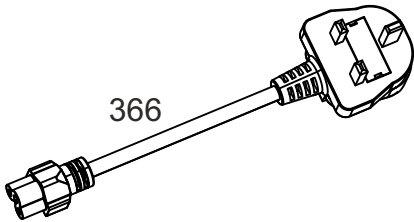
362



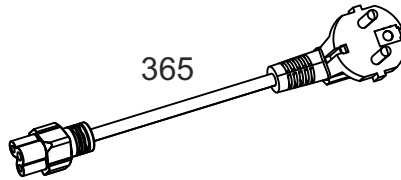
364



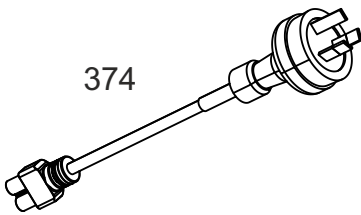
366



365



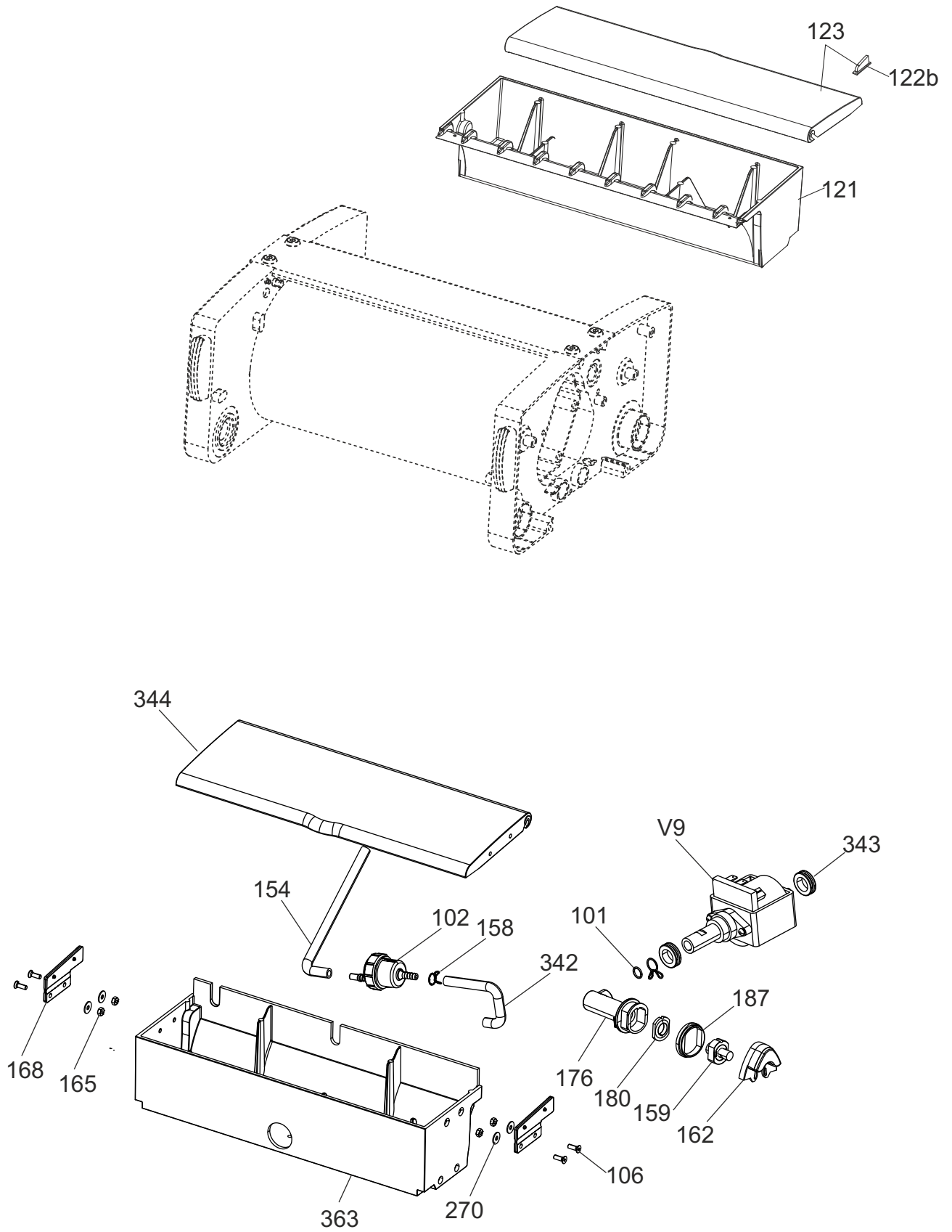
374



BATTERY - MW 340P-B

SL.NO	PART NO	DESCRIPTION	SIZE	QTY
325	90-0538-0000	SLOTTED CSK SCREW SS304 - M4X8		1
345	90-0539-0000	BUSH PCB		4
353	90-0547-0000	CLAMP CAP LED		1
354	90-0548-0000	DUMMY ELECTRICAL BOX		1
357	90-0551-0000	CAP LED		1
362	90-0556-0000	BATTERY PACK GROUP - MW34P		1
364	90-0588-0000	CHARGER BW		1
365	90-0585-0000	CHARGER CABLE EU		1
366	90-0586-0000	CHARGER CABLE UK		1
367	90-0589-0000	BRACKET BATTERY BOX LH		1
368	90-0590-0000	BRACKET BATTERY BOX RH		1
370	90-0592-0000	HEX SOC CSK HD SCREW	M5X10	4
374	90-0597-0000	CHARGER CABLE AUSTRALIA		1

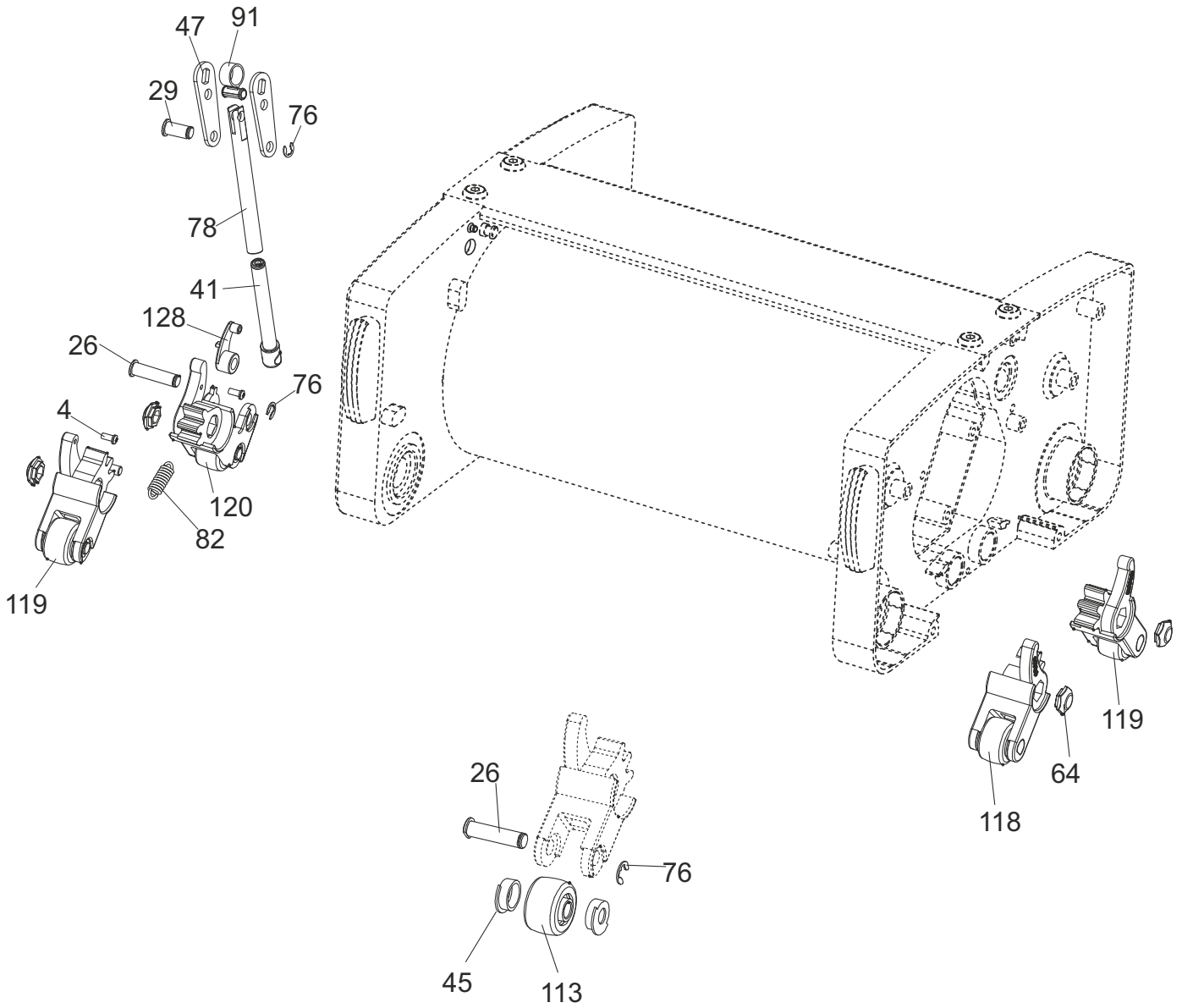
PUMP HOUSING - MW 340P-B



PUMP HOUSING - MW 340P-B

SL.NO	PART NO	DESCRIPTION	SIZE	QTY
101	90-0100-0000	O-RING-PUMP		1
102	90-0113-0000	FILTER		1
106	90-0599-0000	CSK SCREW	M4x12	4
121	90-0072-0500	DIRTY WATER TANK - TEAL		1
122b	90-0055-0000	LID PAD		2
123	90-0075-0000	LID ASSY-DIRTY WATER		1
154	90-0104-0000	HOSE - 275		1
158	90-0353-0000	HOSE CLIP		1
159	90-0107-0000	NOZZLE		1
162	90-0112-0000	BOOT		1
165	90-0141-0000	HEX NUT	M4	4
168	90-0349-0000	STRIP LID		2
176	90-0094-0000	ADAPTOR NOZZLE		1
180	90-0093-0000	SEAL NOZZLE		1
187	90-0099-0000	SPACER		1
270	90-0646-0000	WASHER SS304	8X4X0.5	4
342	90-0558-0000	HOSE - 240		1
343	90-0559-0000	SUPPORT RING		2
344	90-0560-0500	LID PUMP HOUSING - TEAL		1
363	90-0561-0500	PUMP HOUSING 34 DC - TEAL		1
V9	90-0562-0000	PUMP (24V/AC)		1

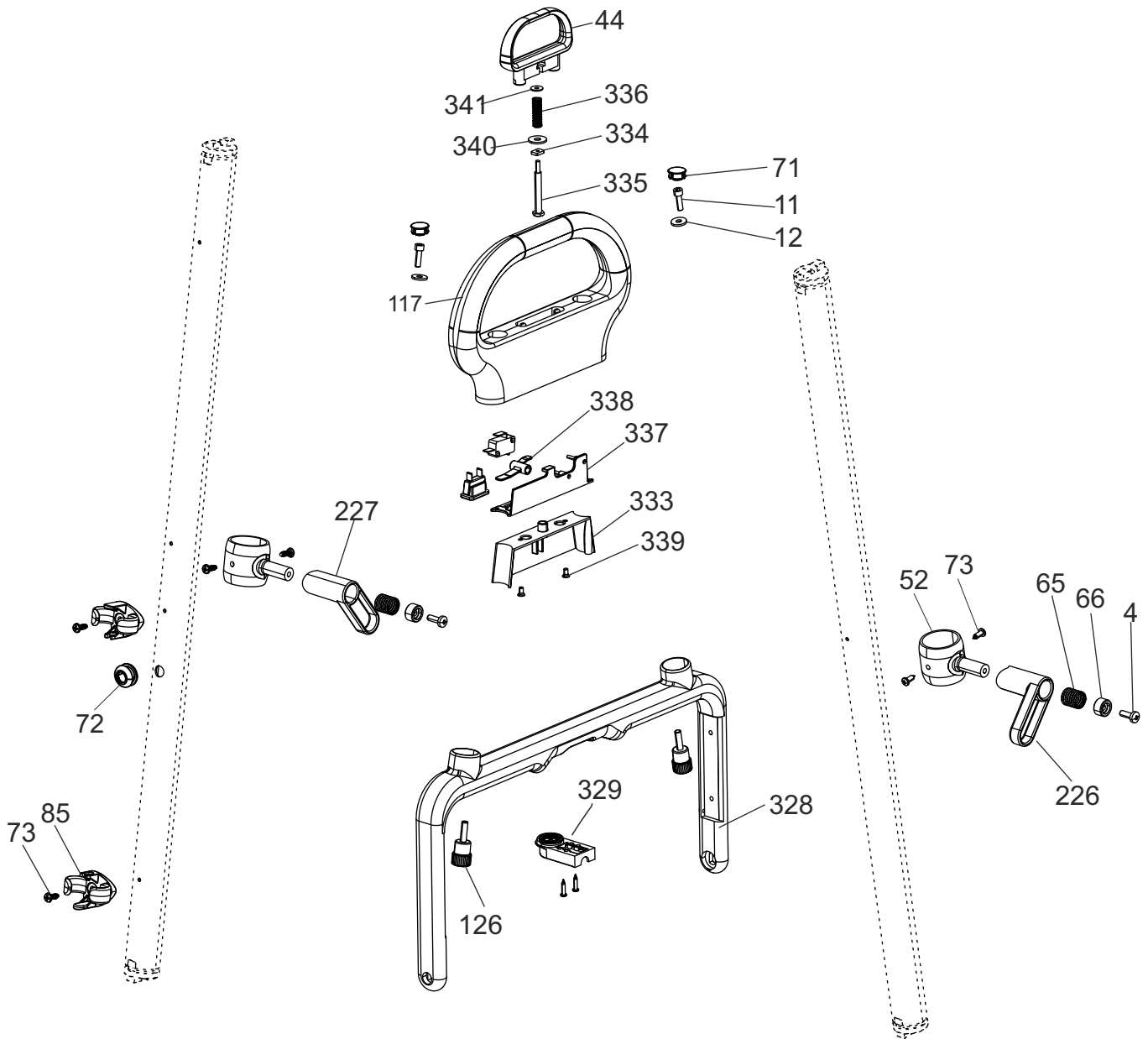
LEVER & GUIDE LINK MECHANISM



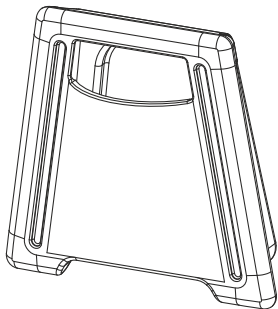
LEVER & GUIDE LINK MECHANISM

SL.NO	PART NO	DESCRIPTION	SIZE	QTY
4	90-0046-0000	CRPH SCREW	M4x12	2
26	90-0151-0000	CLEVIS PIN		5
29	90-0153-0000	CLEVIS PIN		1
41	90-0159-0000	LINK		1
45	90-0162-0000	SHIELD		8
47	90-0563-0000	LEVER DC		2
64	90-0177-0000	LEVER BUTTON		4
76	90-0051-0000	CIRCLIP		6
78	90-0186-0000	LINK GUIDE		1
82	90-0284-0000	SPRING		1
91	90-0257-0000	BUSH		1
113	90-0196-0000	WHEEL		4
118	90-0068-0000	LEVER ASSY		1
119	90-0069-0000	LEVER ASSY		2
120	90-0070-0000	LEVER ASSY		1
128	90-0266-0000	LEVER SWITCH		1

HANDLE ASSEMBLY - MW 340P-B

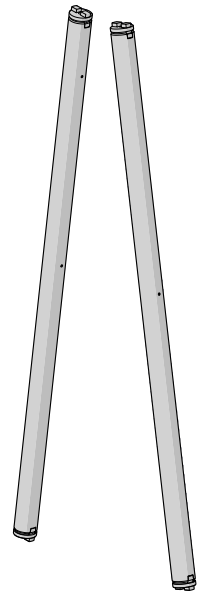


153



- 161
- 152
- 179

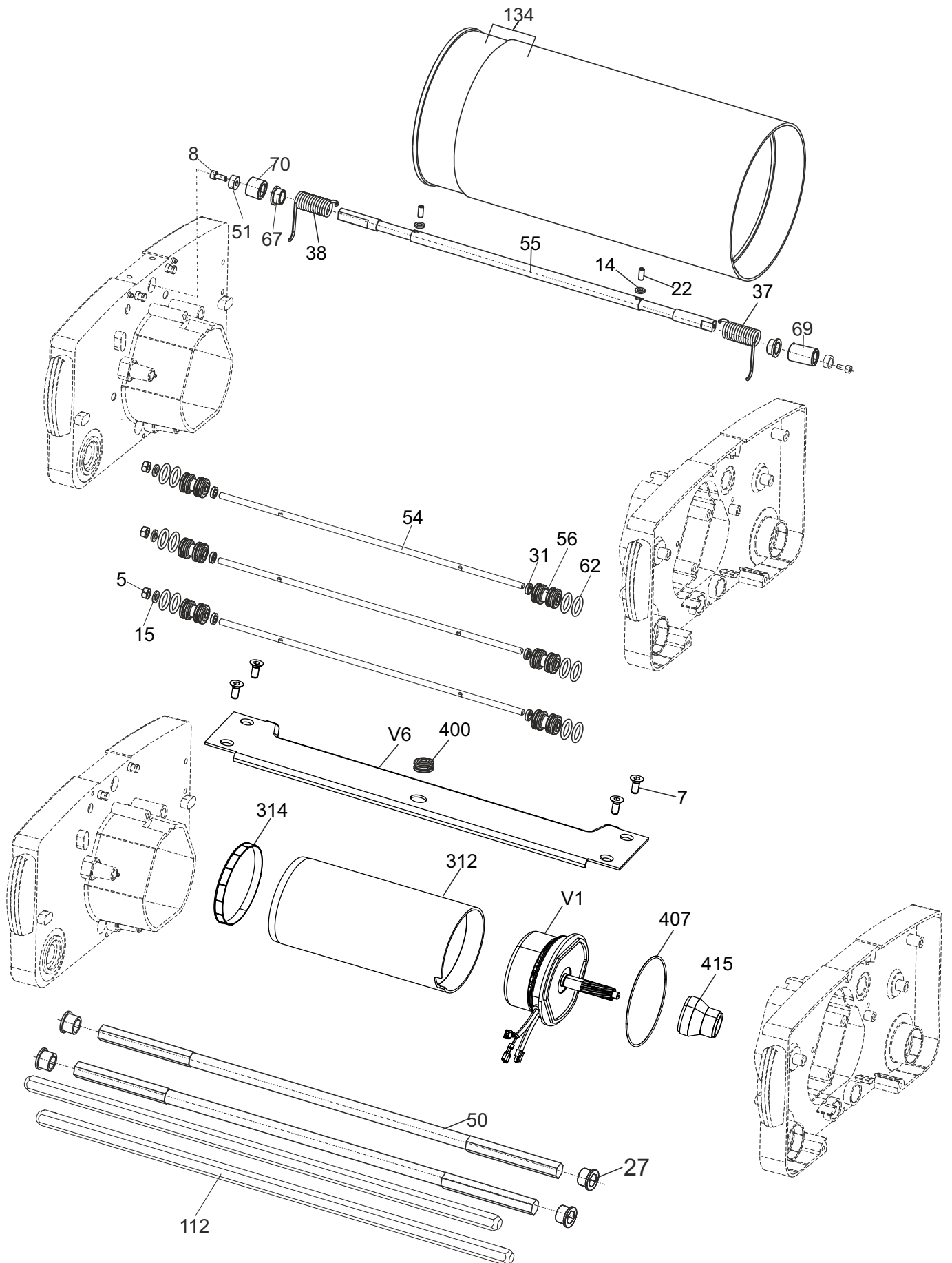
417



HANDLE ASSEMBLY - MW 340P-B

SL.NO	PART NO	DESCRIPTION	SIZE	QTY
4	90-0046-0000	CRPH SCREW	M4x12	2
11	90-0005-0000	ALLEN SCREW	M6x20	2
12	90-0006-0000	WASHER	6.4x18x2	2
44	90-0026-0500	PULL HANDLE - TEAL		1
52	90-0168-0000	BASE - CABLE HOLDER		2
65	90-0041-0000	SPRING		6
66	90-0042-0000	WASHER		6
71	90-0044-0000	PLUG		2
72	90-0045-0000	GROMMET		1
73	90-0183-0000	SELF TAPPING SCREW		10
85	90-0050-0000	GUIDE		2
117	90-0067-0000	TOP HANDLE		1
126	90-0296-0000	KNOB		2
152	90-0101-0000	GASKET		1
153	90-0103-0000	TANK - 4L		1
161	90-0111-0000	VALVE		1
179	90-0092-0000	NUT		1
226	90-0443-0000	KNOB-TANK HOLDER-LH		1
227	90-0444-0000	KNOB-TANK HOLDER-RH		1
328	90-0567-0000	BOTTOM HANDLE DC		1
329	90-0568-0000	BASE VALVE ASSY DC		1
333	90-0570-0000	BASE SWITCH - TOP HANDLE DC		1
334	90-0571-0000	PLATE NUT SWITCH		1
335	90-0572-0000	PIN PUMP SWITCH DC		1
336	90-0573-0000	SPRING PUMP SWITCH		1
337	90-0574-0000	COVER SWITCH TOP HANDLE		1
338	90-0575-0000	ACTUATOR PUMP SWITCH DC		1
339	90-0576-0000	CR CSK HD SCREW SS304 M4X8	M4X8	2
340	90-0577-0000	WASHER SS304	6.4X18X1.6	1
341	90-0578-0000	WASHER SS304	4.3X12X1.0	1
417	90-0704-0500	PIPE HANDLE KIT - BLACK		1

MOTOR, DRUM & BRIDGE HOUSING



MOTOR, DRUM & BRIDGE HOUSING

SL.NO	PART NO	DESCRIPTION	SIZE	QTY
5	00-0600-0703	HEX NUT	M6	3
7	90-0143-0000	CSK SCREW	M6x14	4
8	90-0004-0000	ALLEN SCREW	M4x10	2
14	90-0146-0000	WASHER	5.2x10x1.6	2
15	90-0147-0000	WASHER	6.4x12x1.6	3
22	90-0150-0000	GRUB SCREW	M5x12	2
27	90-0015-0000	BUSH		4
28	90-0152-0000	WASHER		4
31	90-0017-0000	WASHER		6
37	90-0157-0000	SPRING		1
38	90-0158-0000	SPRING		1
50	90-0167-0000	HEX SHAFT		2
51	90-0030-0000	WASHER		2
54	90-0170-0000	TIE ROD		3
55	90-0171-0000	SHAFT		1
56	90-0172-0000	ROLLER		6
62	90-0176-0000	O' RING		12
67	90-0178-0000	BUSH		2
69	90-0180-0000	BUSH		1
70	90-0181-0000	BUSH		1
112	90-0062-0000	BRUSH SHAFT		2
134	90-0306-0000	DRUM ASSY		1
312	90-0579-0000	SPACER MOTOR DC		1
314	90-0580-0000	COVER PROTECTION		1
400	90-0535-0000	GROMMET BRIDGE HOUSING		1
407	90-0671-0000	O-RING	88.0X2.0	1
415	90-0670-0000	SHIELD SHAFT MOTOR - DC		1
V1	90-0581-0000	BLDC MOTOR INCL O RING		1
V6	90-0582-0500	BRIDGE HOUSING ASSY 34 TVX DC - BLACK		1

TRUVOXTM
INTERNATIONAL
A TACONY COMPANY